



Switchmode power supply

# MEDICAL

with interchangeable adapter system.  
All products conform to IEC 60601-1.



## FOX6-XM



6 W MEDICAL POWER SUPPLY



### Characteristics

- High efficiency: up to 81.6%
- Low no load power consumption <95mW
- Meets DoE efficiency level VI
- CoC version 5 ready
- Ultra-low leakage current  $\leq 10\mu\text{A}$
- IEC 60601-1-2, 4th edition ready
- Wide operating temperature range 0 - 45°C
- Isolation 2x MOPP
- Double housing safety: snapped & welded
- IP42 approved interchangeable plug system as additional accessories
- Also available as version with fixed plugs: FOX6-FM

## FOX6-XM

6 W MEDICAL POWER SUPPLY

FRIWO's medical products are designed for the most sensitive applications and for use under the harshest conditions. They must continue to work perfectly despite falls in the emergency room while protecting patients by offering the lowest possible levels of leakage current. FRIWO develops and manufactures power supply units you can trust. In order to ensure maximum patient safety, FRIWO medical technology devices are equipped with its 2 x MOPP (Means of Patient Protection) safety system and feature a minimal leakage current of  $\leq 10\mu\text{A}$  as well as double-sealed housings.

The power supply will operate at universal input range of 90V to 264Vac in a wide temperature range of 0-45°C without derating.

In addition to patient safety, efficiency plays a major role: with low standby losses of 50mW and high efficiency rates the medical FOX line complies with the demanding US efficiency standard DOE (Department of Energy) and its European counterpart ErP (Energy related Products) Another particular highlight of the FOX product family is its interchangeable adapter system with IP42 protection (against drops of water and dampness), which is available as an optional accessory. In practice, this means that the devices can be cleaned using wet cloths – an invaluable advantage in sterile environments. FRIWO's additional features make its products easier to use, day in, day out.

### Model Selection: Output Specifications

Article no.	FW Type	Voltage	Current	Power	Ripple voltage	Efficiency (typ)	No-Load Power
1898096	FW8002M/5	5V	1400mA	7,00 W	180 mV pp	76,5%	<50mW
1898097	FW8002M/6	5,9V	1200mA	7,08 W	150 mV pp	76,2%	<50mW
1898098	FW8002M/8	7,5V	800mA	6,00 W	150 mV pp	78,8%	<50mW
1898099	FW8002M/9	9V	800mA	7,20 W	150 mV pp	80,1%	<50mW
1898100	FW8002M/12	12V	600mA	7,20 W	200 mV pp	81,6%	<50mW
1898101	FW8002M/15	15V	500mA	7,50 W	200 mV pp	80,5%	<75mW
1898102	FW8002M/18	18V	400mA	7,20 W	180 mV pp	80,3%	<90mW
1898103	FW8002M/24	24V	300mA	7,20 W	240 mV pp	81,1%	<95mW
1898105	FW8002M/48	48V	125mA	6,00 W	480 mV pp	79,2%	<95mW

\* Ripple measured with 20MHz Bandwidth Oscilloscope and 0.1uF/50V ceramic capacitor and 10uF/50V aluminum electrolytic capacitor across the output terminal.

### Input Specifications

Input voltage	100-240 V ±10%
Frequency	50-60 Hz
Input current	160-80 mA
Inrush current (@240V)	<35A

### General Specifications

Operating temperature	0..+45°C
Operating humidity	10..95 %
Operating altitude	≤3000 m
Storage temperature	-40°C..+70°C
Storage humidity	10..95 %
Atmospheric pressure	70-106kPa
Output voltage tolerance	±5 %
Line regulation	±1 %
Load regulation	±4 %
Turn-on delay	≤2 s
Hold-up time	>5ms (120V) >50 ms (230 V)
MTBF calculation	200.000 h acc. Mil217F (based on calculations at 120Vac/60Hz & 230Vac/50Hz, ambient 25°C and 100% load)
Housing material	PC-ABS
Dimensions	58,0x31,5x41,0mm
Weight	112 g
AC input	FRIWO interchangeable mains plug system: see Primary Adapters
DC output	FRIWO Universal output plug system: see Secondary Adapters

### Safety

Safety standards	IEC/EN/UL60601-1 3.1 Edition
Approbations	Europe, USA, Australia, Japan
Protection class	II
Isolation	Input - Output 2xMOPP, Input - Ground 1xMOPP
Leakage Current	≤ 10 µA
Flame class	UL 94 V0
IP code	IP40 (IP42 adapters optionally available)
Overload protection	Yes
Overvoltage protection	Yes
Short circuit protection	Yes

### EMC Compliance

Conducted and radiated Emmissions	EN55022, EN55011, FCC15, Class B, EN60601-1-2			
Immunity	EN55024, EN60601-1-2			
Harmonics	EN61000-3-2	Class A		
Flicker noise	EN61000-3-3	Yes		
ESD (contact / air)	EN61000-4-2	8kV / 15kV	Criteria B 100V	Criteria B 240V
Immunity against radiated field	EN61000-4-3	10V/m	Criteria A 100V	Criteria A 240V
ETF / Burst	EN61000-4-4	2kV	Criteria B 100V	Criteria B 240V
Surge	EN61000-4-5	1kV / 2kV	Criteria B 100V	Criteria B 240V
Immunity against conducted disturbances	EEN61000-4-6	10V	Criteria A 100V	Criteria A 240V
Voltage dips	EN61000-4-11	0% 0,5 Cycle	Criteria B 100V	Criteria A 240V
		40% 5 Cycle	Criteria B 100V	Criteria A 240V
		70% 25 Cycle	Criteria B 100V	Criteria A 240V
		0% 5s	Criteria B 100V	Criteria B 240V
Immunity against magnetic field	EN61000-4-8	30A/m	Criteria A 100V	Criteria A 240V

**Drop Test**

**Standard**  
**Surface**  
**Drop height**  
**Numbers of Drops (total)**

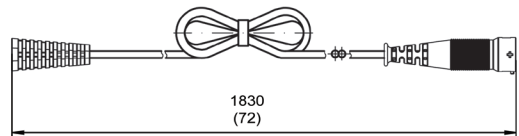
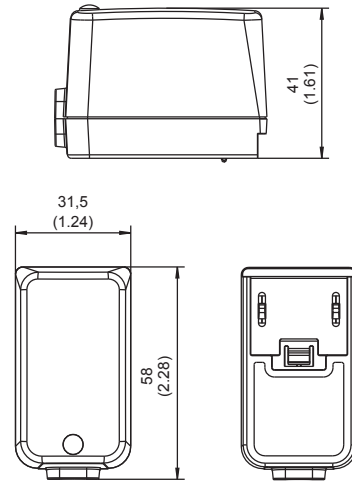
IEC 60068-2-32  
 Steel  
 1 m  
 3

**Vibration**

**Standard**  
**Frequency range**  
**Cross-over-frequency**  
**Displacement amplitude**  
**Peak acceleration**  
**Number of cycles**

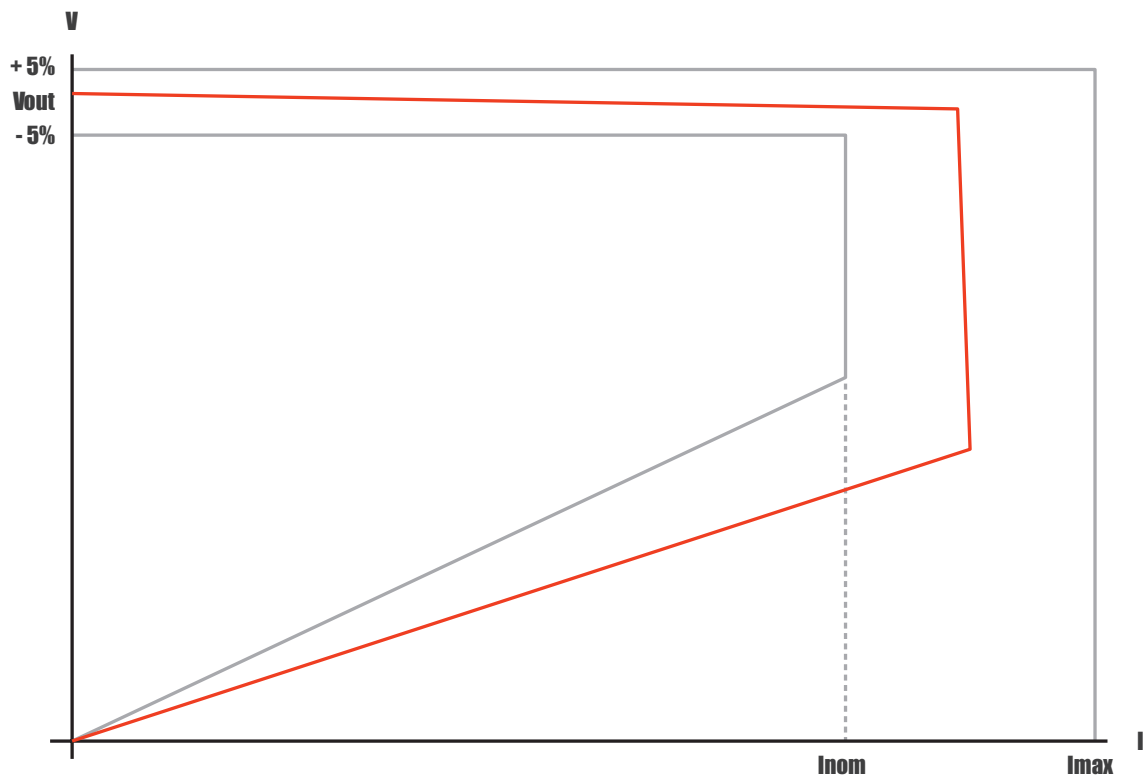
IEC 60068-2-6  
 10 – 500 Hz  
 58 – 62 Hz  
 0.2 mm  
 3 g  
 10 per axis

**Mechanical Drawings**



Alle Abmessungen in Millimeter (Inch), Abweichung ± 0,5 (0.02)  
 All Dimensions in Millimeter (Inch), Deviation ± 0,5 (0.02)

**Output Characteristics**





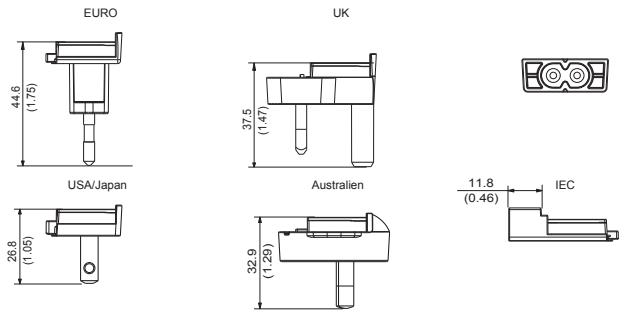
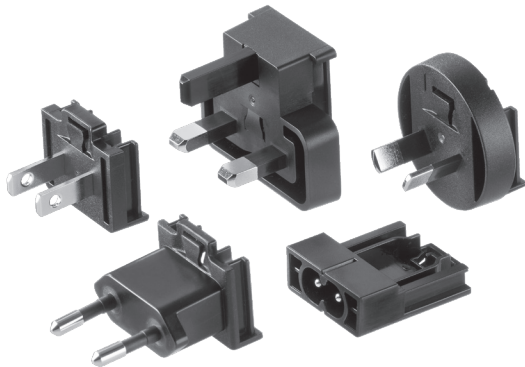
**FRIWO Gerätebau GmbH**  
 Von-Liebig-Straße 11 · 48346 Ostbevern · Germany  
 Tel. +49 2532 81-0 · sales@friwo.com · www.friwo.com

Do you already know our free newsletter?



**Primary Adapters**

**Mechanical Drawings**



Alle Abmessungen in Millimeter (Inch), Abweichung ± 0,5 (0.02)  
 All Dimensions in Millimeter (Inch), Deviation ± 0.5 (0.02)

FOX	IPx0	IPx2	FOX	IPx0	IPx2	FOX	IPx0	IPx2
Country	Article no.	Article no.	Country	Article no.	Article no.	Country	Article no.	Article no.
<b>EURO</b>	<b>1847556</b>	<b>1847618</b>	<b>IEC</b>	<b>1847552</b>	–	<b>IND 2-polig</b>	<b>1847547</b>	–
<b>UK</b>	<b>1847544</b>	<b>1847606</b>	<b>ARG</b>	<b>1847548</b>	–	<b>IND 3-polig</b>	<b>1847546</b>	–
<b>USA / JPN</b>	<b>1847554</b>	<b>1847604</b>	<b>BRA</b>	<b>1847551</b>	–	<b>KOR</b>	<b>1847545</b>	–
<b>AUS</b>	<b>1847553</b>	<b>1847624</b>	<b>CHN</b>	<b>1847550</b>	–	<b>ZAF</b>	<b>1847549</b>	–

**Secondary Adapters**

Straight coaxial connectors				Angled coaxial connectors				Straight jack connectors			Connectors / Sockets	
Ø out.	Ø in.	Length mm	Article no.	Ø out.	Ø in.	Length mm	Article no.	Ø out.	Length mm	Article no.	Model	Article no.
3.5	1.3	9.5	1807699	3.5	1.3	9.5	1822478	2.5	13	1807704	<b>Texas connector</b>	
4.0	1.7	9.5	1822557	4.0	1.7	9.5	1822558	3.5	14	1807705	<b>Straight texas connector</b>	<b>1807706</b>
4.0	1.7	11.0	1811994	4.0	1.7	11.0	1822482				<b>Angled texas connector</b>	<b>1822486</b>
4.8	1.7	9.5	1822559	4.8	1.7	9.5	1822560				<b>Texas sockets 2-pin</b>	
5.5	2.1	9.5	1807700	5.5	2.1	9.5	1822479				<b>Snap-in type</b>	<b>1323938</b>
5.5	2.1	11.5	1807701	5.5	2.1	11.5	1822480				<b>PCB type</b>	<b>1321609</b>
5.5	2.1	14.0	1807697	5.5	2.1	14.0	1822476					
5.5	2.5	9.5	1807698	5.5	2.5	9.5	1822477				<b>Texas sockets 3-pin</b>	
5.5	2.5	11.5	1807702	5.5	2.5	11.5	1822481				<b>Snap-in type</b>	<b>1327259</b>
5.5	3.3	9.5	1822561	5.5	3.3	9.5	1822562				<b>PCB type</b>	<b>1363506</b>
<b>DIN 45323</b>			<b>1807703</b>	<b>DIN 45323</b>			<b>1822483</b>					