

**SARAYA** Europe

## No-Touch Dispenser

# GUD-1000

It doesn't get any easier to increase compliance with no-touch hand hygiene dispensing.

Hand hygiene is everywhere you need it to be. Mount the GUD-1000 to a wall or place it on any countertop.



- 1 Hygienic**  
No-Touch GUD-1000 dispenser eliminates cross-contamination.
- 2 Adaptable**  
Supports a variety of hand hygiene soaps, gels and disinfecting sprays.
- 3 Versatile**  
Easy installation on wall or flat surfaces. The dispenser uses 4 D-cell batteries, so there is no need to set near an outlet.

### GUD-1000



Wall/ Countertop

D-cell x 4

Soap

Liquid / Foam

Disinfectant

Spray / Gel

Product code 77099

W 147 mm x D 101 mm x H 268 mm

#### ■ Battery operated



One set of D-cell batteries operate the GUD-1000 for one year.\*  
\* Tested on liquid soap.

#### ■ Security lock



Lock up the unit to deter tampering or unauthorized access.

#### ■ Disposable bottle



Replace empty bottles directly with contamination free Saraya hand hygiene disposable bottles.

#### ■ Slim



101mm thin GUD-1000 won't become an obstacle when installed in hallways.

# GUD-1000

No-Touch Dispenser



## Alsoft VB

The formulation containing two kinds of alcohol and Phosphoric Acid can achieve excellent bactericidal and virucidal efficacy.

### Features :

- Efficacy : Antibacterial, yeasticidal and virucidal.
- Active ingredients : 100g contains: Ethanol 66.5g, Propan-1-o1 10g.
- Compatible with the GUD-1000 No-Touch dispenser system



## Sarasoft A

A foaming hand soap which is fragrance free and ready to use.

### Features :

- Plain Foam soap based on coconut oil.
- Contains emollient for skin smoothening.
- No risk for clogging, pump replaced with the bottle.



## Sarasoft AG

A foaming hand soap with green apple fragrance.

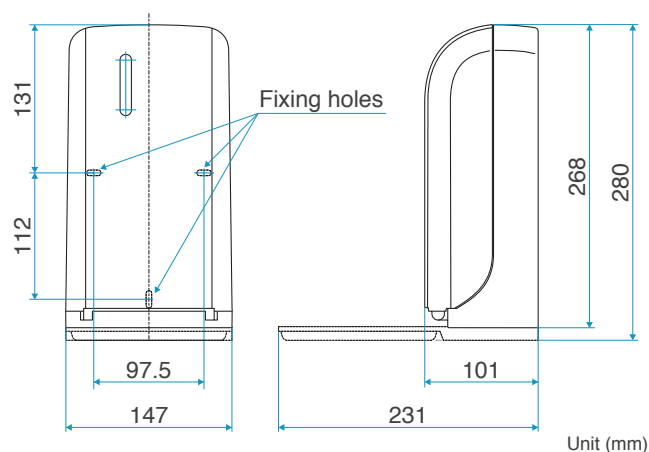
### Features :

- Plain Foam soap based on coconut oil.
- Contains emollient for skin smoothening.
- No risk for clogging, pump replaced with the bottle.
- The light fragrance of green apple lingers after rinsing.

### Specifications

### Dimensions

Item	Details
Product	No-Touch Dispenser
Model	GUD-1000
Dimensions	W147 × D101 × H268 mm
Product weight	Approx. 785 g (excluding packaging and accessories)
Material	Cover ..... PP Case ..... PP Cover window ..... Clear PP Internal mechanical box ..... ABS Dry cell Batteries box ..... PP
Power source	Alkaline dry cell batteries (D cell × 4)
Operational temperature	5–40°C (ideal for chemical consistency)
Operational humidity	20–85% (no condensation)
Chemicals	Only chemicals indicated by the manufacturer.



## ⚠ Precautions

- Contact your sales representative for any questions related to the unit.
- Thoroughly read the instruction manual before operating the GUD-1000.
- Use only chemicals approved by Saraya.
- Other chemicals can damage the unit.

- Specifications are subject to change at any time without prior notice for improvement.
- Because print quality varies actual products may appear differently than shown.

**SARAYA** Europe

Rue des Palais 44, 1030 Brussels, Belgium

TEL +32 2 223 14 78 FAX +32 2 476 25 87

E-mail: info@saraya-europe.com

www.saraya-europe.com