

**TRILUX Medical GmbH & Co. KG**

Hüttenstraße 21  
D-59759 Arnsberg  
Tel.: +49 (0) 29 32 - 9214 - 0  
Fax: +49 (0) 29 32 - 9214 - 501  
info@trilux-medical.com  
www.trilux-medical.com



## TRILUX Medical Aurinio Wave®

The reLED OR light for the best illumination

All technical data including dimensional and weight specifications have been compiled with due care. Errors reserved. We reserve the right to modify in the interest of progress.

Products are partly shown with accessories to be ordered separately. Images of installations may show custom-manufactured products.

17/06-GB-int 10153059



TRILUX Medical Aurinio Wave®

# The reLED OR light for the best illumination



## Highlights

As the only OR light with reLED technology, the Aurinio Wave® unites a shadow-free illuminated field with unique illumination depth and high colour rendering. For the OR team that means a new dimension in light for trouble-free surgery at all times.

With its intuitive operation, high efficiency level and seamless integration into existing OR integration systems, the Aurinio Wave® OR light is the ideal light source for surgeons with high expectations.

### reLED technology

Lighting technology developed by TRILUX Medical for specific illumination depth without shadows at 160,000 lx, with best in class colour rendering of  $R_a=97$  and  $R_g=98$

### Focussing

Illuminated field for the illumination of deep wounds - precise manual focussing down to spot focus

### Hygiene

Ideal for laminar air flow ceilings due to low heat dissipation and a flow-optimised design. The completely sealed housing (IP54) prevents the ingress of liquids and particles and features easy cleaning

### DeviceLink

Simple, wireless linking to the Paramon® OR integration system or third-party systems, enabling central control

### ShareCam HD

Centrally adaptable HD camera that can also be variably used on other Aurinio Wave® light units

### TouchControl

Intuitive, central control of the camera and up to three lights with networking and synchronising via SyncMode

### Endoscopy mode

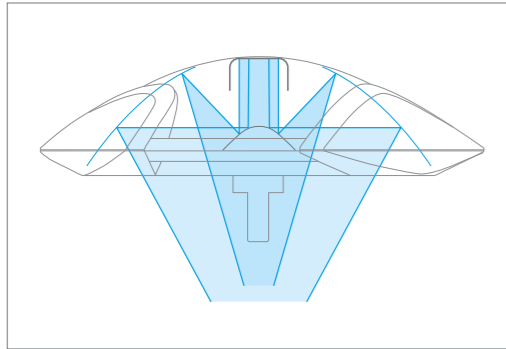
Switch to green light for optimum endoscopic intervention conditions

### LAS technology

The Light Adjustment System provides integrated power reserves for light output across the complete lifespan

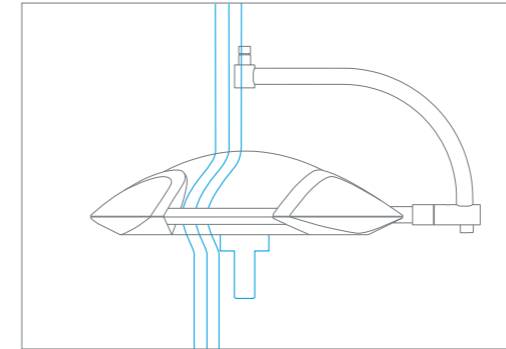


## Features



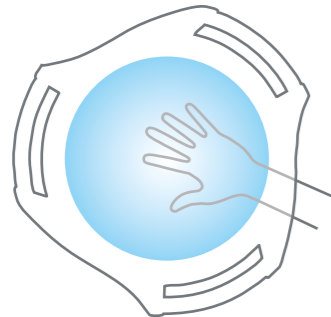
### reLED technology

With a unique combination of the latest LEDs and optimally matched reflectors, the Aurinio Wave® achieves optimal light quality with minimum heat load in the surgical field.



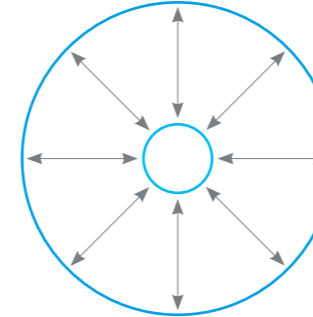
### Hygiene

The flow-optimised housing and low surface temperature are ideal for use under laminar air flow ceilings, ensuring minimal microbe concentrations in the sterile field. The multi-sterilizable handle, IP54 protection rating and disinfectant-resistant, smooth surface comply with maximum hygiene standards.



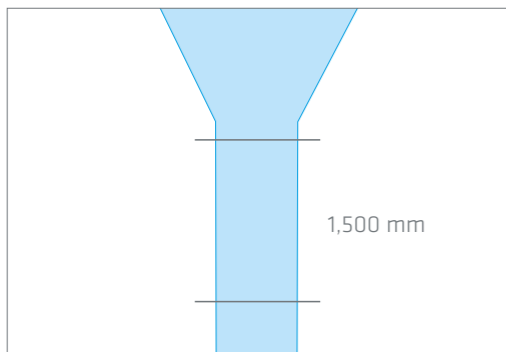
### Shadow management

Continuous reflection on the main reflector creates a shadowless area in the centre of the illuminated field, enabling uninterrupted work for the surgeon at all times.



### Focussing

The rotatable handle varies the light field diameter for illuminating differing operative field dimensions and optimises the light field for various disciplines.



### Illuminance and illumination depth

A homogeneous light column illuminates the operating field perfectly – even in case of deep wounds. 60 high-end LEDs and two specifically developed reflectors guarantee perfect quality of light at 160,000 lux with an extra-long 60,000 hour service life.



### Adjustable colour temperature

There are three levels of colour temperature adjustments. This is important for the natural illumination of various tissues and surfaces.  $R_a=97$  and  $R_g=98$  colour rendering values remain constant across all colour temperatures.

## Equipment and accessories



### TouchControl

The simple touch module with intuitive control enables the central control of all light and camera functions:

- Dimming
- Colour temperature adjustment
- Selection of endoscopy mode
- Service menu
- SyncMode
- Camera menu



### ShareCam HD

Can be integrated in the centre of the light // signal transmission via cable for optimal signal quality // makes even the smallest details in the surgical field visible with:

- Full HD 1080
- 2 megapixels
- 10-fold optical zoom
- 12-fold digital zoom
- Motor image rotation



### HD camera on separate arm

Pan-and-tilt camera for recording and live playback

- Full HD 1080
- 2 megapixels
- 10-fold optical zoom
- Motor image rotation



### Wireless remote control

Control of up to three light units and two integrated camera systems



### Sterile handle

Optionally with adapter for using disposable sterile handles



### Mobile trolley

Optional mobile trolley for flexible applications // as supplementary light, transition solution or in outpatient facilities // optional battery back-up system for 3-hour interruption-free power supply



### Monitors

HD monitors for playback of various video sources from the OR // 19" // 24" // 42"

AURINIO WAVE® TECHNICAL DATA	E	F	FT
Illuminance at distance of 1 m	160.000 lx	160.000 lx	160.000 lx
Dimmability	10 - 100 %, continuous	10 - 100 %, continuous	10 - 100 %, continuous
Endoscopy mode	no	green or white	green or white
Colour temperature	4,800 K	4,800 K	3,800/ 4,300/ 4,800 K
General colour rendering index R <sub>a</sub>	97	97	97
Colour rendering index R <sub>3</sub> (red)	98	98	98
Light field diameter (d10) (d50)	192 mm 97 mm	180 - 280 mm 94 mm	180 - 280 mm 94 mm
Illumination depth (20 %) (60 %)	1,500 mm 800 mm	1,500 mm 800 mm	1,500 mm 800 mm
Total radiant flux density*	364 W/m <sup>2</sup>	364 W/m <sup>2</sup>	364 W/m <sup>2</sup>
reLED technology (glare-free, shadow-free)	yes	yes	yes
Number of LEDs (green)	60	60 (+6)	60 (+6)
LED service life	60,000 h	60,000 h	60,000 h
LAS technology (100% light output)	yes	yes	yes
Diameter of light unit	775 mm	775 mm	775 mm
Protection rating of light head	IP54	IP54	IP54
Power consumption without camera with camera	66 W 71 W	66 W 71 W	66 W 71 W
Operating element	TouchControl	TouchControl	TouchControl
Remote control	Sensor buttons	Sensor buttons	Sensor buttons
ShareCam HD integration	possible	possible	possible

\* at 100,000 lx

Conformity in accordance with 93/42/EEC directive **CE** Photometric data in accordance with DIN EN 60601-2-41 Data may deviate to +/- 10%. Standards: EN 60601-2-41; EN 60601-1; EN 60601-1-2

CAMERA TECHNICAL DATA	ShareCam HD
Video standard	HD 1080
Resolution	2,000,000 pixels
Sensor model	1/3" CMOS
Zoom	120-fold (10 x optical, 12 x digital)
Autofocus	yes, definable
Motor image alignment	yes

