



# Medidrant<sup>®</sup>

Intensive & OR Ceiling Supply System





# Optimal Design and Patient Care with Medidrant®

Surgeons and anesthesiologists particularly appreciate the options provided by **Medidrant® Ceiling Supply System**, which allows the freedom to do what is required in the right position, as simply as possible — even in unfavourable room conditions.

**Medidrant® CSS** is available with different types of bases and is designed to accommodate multiple components. The optimal ergonomic design offers a greater freedom of movement and the flexibility to handle connections for power, gas and data outlets as needed. With this expandable system, you can employ optional indirect LED lighting, a heavy-duty variant for anesthesia lifters, additional equipment to suit the space and provide optimum patient care.



**Medidrant® CSS** offers diversity, expandability and flexibility with an extensive range of accessories.



## Point-Precision. Improved Ergonomics.

### System Diversity

- Rigid system for endoscopy and anesthesia
- Height-adjustable system for surgery
- Tandem system for intensive care
- Mono and Duo extension arms with different lengths
- Solo or Twin-Base for holding installed components
- Heavy Duty CSS for use in anesthesia

### Heavy Duty CSS

- Maximum load of TWIN base: 300 kg
- Support for the anesthesia trolley including lifter function
- Maximum load capacity for anesthesia lifter: 250 kg
- Intelligent sensor technology with pressure sensor, distance sensor and stopper ensures safety when lifting the anesthesia device

### Pneumatic or Electromagnetic Brake

- Single or combined brakes in the extension arms
- Prevents accidental movements of the CSS
- Fixes ceiling supply system in the desired position

### Expandability

- Greater flexibility with extensive range of accessories
- Infusion bottle holders, monitor mounts and shelves, and much more

### Ergonomics

- Less workload for use of CSS with motor arm
- Optimal work height achieved by modification to body height
- Position modification during extended surgery (e.g. work in seated or standing positions)
- Simple and precise positioning

### Lighting Components

- Optimum indirect illumination of the surgical field reduces the risk of accidents to personnel during endoscopic procedures
- Integrated in the rear of the media base
- RGBW Controller recalls preset lighting scenes, dimming of indirect room lighting and individual setting of light colors using LED RGB technology

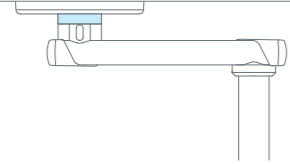


The interface for **Paramon**, OR Integration System, can be placed on Medidrant® CSS.

**Medidrant® Intensive CSS** solves the problem of the precise positioning of instruments and equipment for high-precision work in everyday intensive care. Stands on both sides of the bed enable use of everything needed for monitoring patients (vital signs, pulse, blood pressure, ECG) and infusion (pumps, etc.).

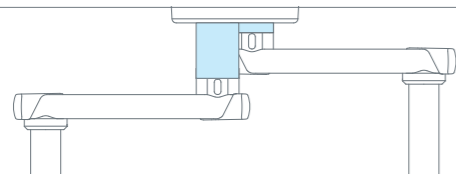


## System Diversity



### Single

- Single ceiling fixing for one supply system



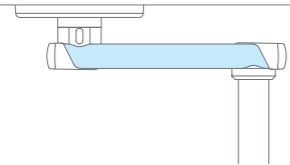
### Tandem

- Tandem ceiling fixing for two supply systems



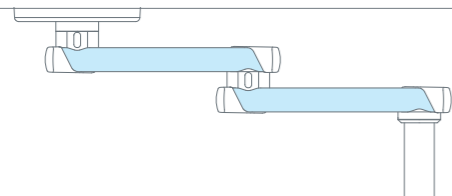
### Light

- Fixed version without bracket arms



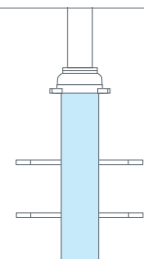
### Mono

- Bracket arm, single version
- Available lengths: 600, 800, 1,000 and 1,200 mm
- Optional 1,000 mm motor arm available



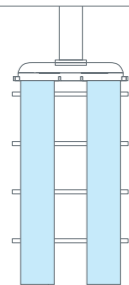
### Duo

- Bracket arm, double version
- Available lengths: 600, 800, 1,000 and 1,200 mm for each arm
- Optional 1,000 mm motor arm available



### Solo

- Solo media base for accommodating installation components and counter plates
- Integrated vertical 25 x 10 mm device rail
- Available lengths: 650, 950, 1,250 and 1,550 mm



### Twin

- Twin media base for accommodating installation components and counter plates
- Integrated vertical 25 x 10 mm device rails
- Available lengths: 650, 950, 1,250 and 1,550 mm
- Cable management and cable routing through the divided media base



For more technical information see specifications.





## Heavy Duty CSS Strong. Flexible. Precise.

New technologies have transformed OR workplaces, which are now multi-functional, thanks to imaging devices such as MRT and CT. Doctors and assistants from various disciplines work simultaneously on the patient. While one diagnoses, the other carries out the required surgical operations—calling for more technology installed in compact spaces.

**Medidrant® Heavy Duty CSS** robust design offers the flexibility required to precisely position and support various devices contributing to an extended operating life with many benefits in terms of ergonomics and functionality.



**Medidrant® Heavy Duty CSS** can manage loads of up to 300 kg.



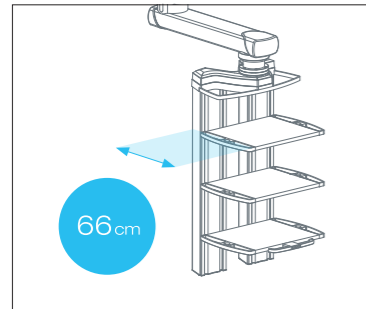
**Intelligent sensor technology** with pressure sensor, distance sensor and stopper ensures safety when lifting the anaesthesia device.



Less workload for anesthesiologists with simple, precise positioning of the anesthesia device. Optimal work height achieved by body height modification, allowing access while seated or standing during an extended surgery.

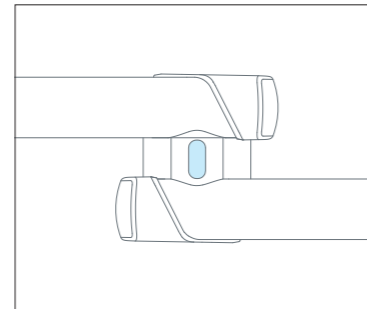


## Features



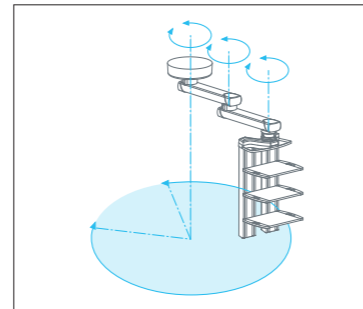
### Less Space Requirements

- Low spatial needs due to the center-of-gravity position on the media base, located below the bracket arm axis
- Depth of only 66 cm for media base with counter plate
- Optimal space utilisation with compact room sizes



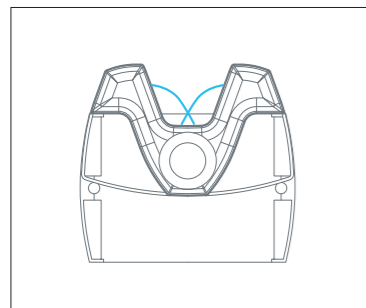
### Electromagnetic Brake

- Safe and flexible in an emergency
- Optical feedback signals where the brake was released
- No need for compressed-air connection
- Maintenance-free



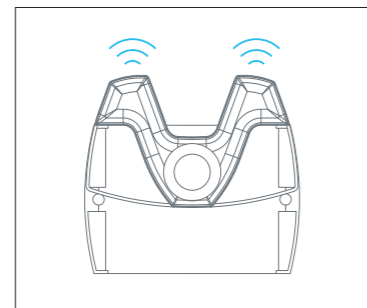
### Flexible Position

- Ceiling supply unit with 2-part arm can be easily positioned at any point on circular area
- Rotation on axis
- Optional height-adjustable motor arm



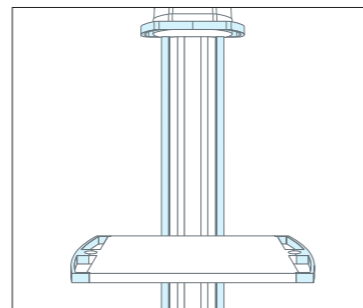
### Cable Management

- Divided media base for cable routing of medical equipment connection cables
- No cables in the outer area of the media space
- Safe assignment and separation of connection cables and supply lines for patients
- See Accessories Brochure for cable retainers



### Rear Lighting

- Optional rear LED lighting
- White light for illumination of surroundings
- Red, green and blue light for ambient lighting
- Integrated RGBW-Controller



### Device Rail Diversity

- Horizontal and vertical
- 25 x 10 mm device rails for accommodating accessories
- Flexible arrangement and mounting of medical equipment for designing workstations
- See Accessories Brochure for extensive accessory range

## Specifications

All technical data, weight and dimensional specifications are carefully compiled, but no liability is accepted for errors. We reserve the right to modify products in the interest of progress.

Some products and illustrations are shown with accessories or optional equipment that must be ordered separately.



### Medidrant® Ceiling Supply System

| Extension Arm                   | Light                                     | Normal & Heavy Load                           | Heavy Load & Anesthesia Lifter System | Height Adjustable                             | Heavy Load/Height Adjustable                  |
|---------------------------------|-------------------------------------------|-----------------------------------------------|---------------------------------------|-----------------------------------------------|-----------------------------------------------|
| Max. Load Solo Base             | 200 kg                                    | 200 kg                                        | -                                     | 100 kg                                        | 200 kg                                        |
| Max. Load Twin Base             | 300 kg                                    | 300 kg                                        | 300 kg                                | 80 kg                                         | 180 kg                                        |
| Max. Action Radius, One-Armed   | -                                         | 1,200 mm                                      | 1,200 mm                              | 1,000 mm                                      | 1,000 mm                                      |
| Max. Action Radius, Two-Armed   | -                                         | 2,400 mm                                      | 2,000 mm                              | 2,200 mm                                      | 2,200 mm                                      |
| Bracket Arm Length              | -                                         | 600/800/1,000/1,200 mm                        | 600/800/1,000/1,200 mm                | 600/800/1,000/1,200 mm                        | 600/800/1,000/1,200 mm                        |
| Max. Height Adjustment          | -                                         | -                                             | 600 mm                                | 675 mm                                        | 675 mm                                        |
| Swivel Range Arm/Media Base     | 340°                                      | 350°/340°                                     | 350°/340°                             | 340°/340°                                     | 340°/340°                                     |
| Media Base Height Solo/Twin     | 650/950/1,250/1,550 mm                    | 650/950/1,250/1,550 mm                        | 1,550 mm                              | 650/950 mm                                    | 650/950 mm                                    |
| Brake System                    | Friction                                  | Preumatic, optionally electromagnetic         | Preumatic, optionally electromagnetic | Preumatic, optionally electromagnetic         | Preumatic, optionally electromagnetic         |
| Brake Control/Height Adjustment | -                                         | Hand control device or handles at the console | Hand control device                   | Hand control device or handles at the console | Hand control device or handles at the console |
| Console Dimensions              | 708 x 490 mm (w x d) incl. standard rails | 708 x 490 mm (w x d) incl. standard rails     | -                                     | 708 x 490 mm (w x d) incl. standard rails     | 708 x 490 mm (w x d) incl. standard rails     |
| Color Specifications            | RAL 9002 Powder Coated Aluminium          | RAL 9002, Powder Coated Aluminium             | RAL 9002, Powder Coated Aluminium     | RAL 9002, Powder Coated Aluminium             | RAL 9002, Powder Coated Aluminium             |

Directives and standards: EN 60601, ISO 11197, ISO 19054:2006-0, ISO 7396, ISO 5359.  
The number of installed components depends on the length and technical construction of the profile.  
Conformity of all medical products in accordance with 93/42 EEC directive: CE 0044



**Mizuho Medical Co., Ltd.**

Mizuho Building 3, 3-29-3  
Hongo, Bunkyo-ku, Tokyo, 113-0033,  
Japan  
Tel.: +81 3 3815-7101

[www.mizuhomedical.co.jp](http://www.mizuhomedical.co.jp)

**Mizuho OSI**

30031 Ahern Avenue  
Union City, CA 94587-1234  
USA  
Tel.: +1 510 429-1500

[www.mizuhosi.com](http://www.mizuhosi.com)

**TRILUX Medical GmbH & Co. KG**

Hüttenstrasse 21  
59759 Arnsberg  
Germany  
Tel.: +49 29 32 9214-0

[www.trilux-medical.com](http://www.trilux-medical.com)



Manufactured by TRILUX Medical GmbH & Co. KG  
Mizuho, Mizuho OSI and TRILUX Medical are constantly improving their products.  
All specifications are subject to change without notice.