



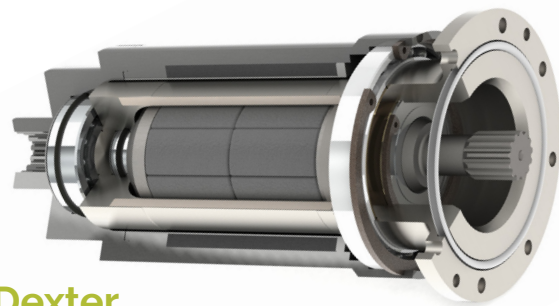
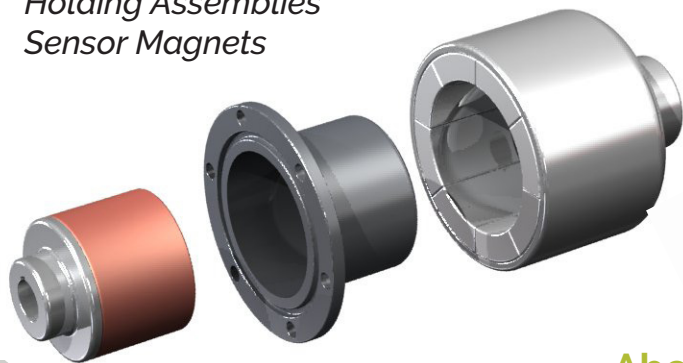
Assembly

Dexter is an industry leader in the assembly of permanent magnets and subassemblies in medical devices. We are ISO 13485 certified with onsite cleanroom assembly and inspection capabilities.

Experience in converting magnetic technology for biocompatible medical devices is a focal point of our engineering expertise.

The diversity of our medical device component and subassembly portfolio allows Dexter to become your sole source for magnetic products including:

- *Bioseparators for IVD*
- *Medical Implants*
- *Surgical Tools*
- *Torque Limiters / Couplers*
- *Holding Assemblies*
- *Sensor Magnets*



About Dexter

A global leader in the specification, design and fabrication of magnetic products and assemblies.

Since its founding in 1951, solutions designed by Dexter have and continue to positively impact our world daily.



DEXTER MAGNETIC TECHNOLOGIES

150 Morse Ave. Elk Grove Village, IL 60007
www.dxtmagnetics.com