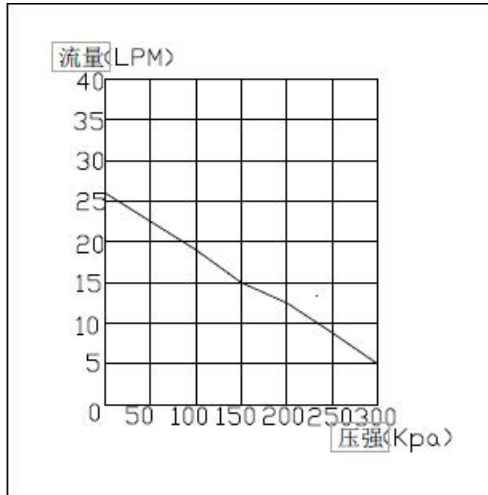
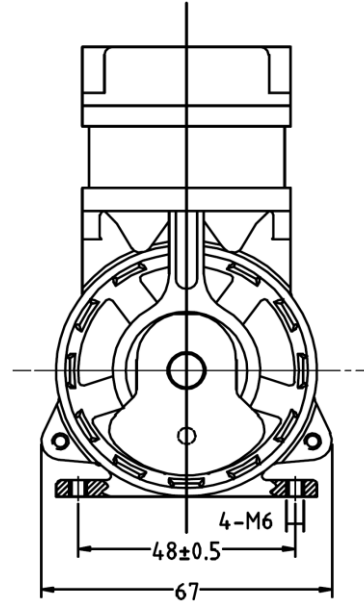
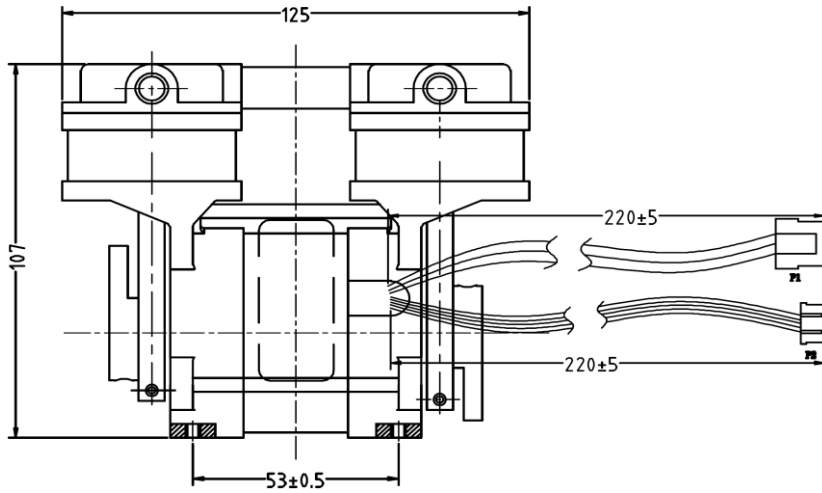


# SHANGHAI TECWELL MACHINERY CO., .LTD.



CLIENT		MODEL NO.	TW80H
APPLICATION	Compressor	DATE	August, 2020



ITEM	CONTENT	NO.	SPECIFICATIONS	QTY.	NOTE
TAG	Nameplate	SYAQ2007	"Shanghai Tecwell", Red+Red+Black+Black	1	
	Inlet Tag	SYAQ2008	English Version	1	
	Outlet Tag	SYAQ2009	English Version	1	
	Certificate	SYAQ2004		1	
COMPONENT	Controlling Board	-----		0	
	90-Degree Elbow-Joint	SYAQ4006	M8 x 1.25	2	
INLET & OUTLET	Left Cylinder-Head	SYAW7021			
	Right Cylinder-Head	SYAW7021			
	Thread	M8 x 1.25			
PACKING	Transparent PE Plastic-Bag	SYAQ1001	PE Film, 35cm x 35cm	1	
	Carton	SYAQ3001	280 * 275 * 190	1/4	4 pcs in 1 carton
OTHER	Cartons will be packed in large-size standard-export carton, on plastic tray.				
COLOR / SURFACE FINISH	Surface Finish: sand-blasting; Connecting-Tube: oxidation.				

1	All Tecwell models can be customized to be compressor or vacuum pump. There will be difference between function & output of compressor and vacuum pump under the same model.				TECWELL SPECIFICATIONS	
2	Tecwell models can be customized to your requirements. For example: voltage & frequency, thread of inlet & outlet, direction of inlet & outlet.					
3	TW80H: "80", Model No. / "H", DC / "E", Case-Mould No. / "(V)", Vacuum.					
VERSION	RIVISION			SIGNATURE	DATE	FILE NO. SYAK1080
DESIGNED BY	STANDARDIZATION			WEIGHT	PROPORTION	VERSION V01 / R01
PROOFED BY						SPECIFICATIONS NO. TW80H
EXAMINED BY	APPROVED BY					
CRAFTED BY	DATE			1 PAGES IN TOTAL	PAGE NO. 1	