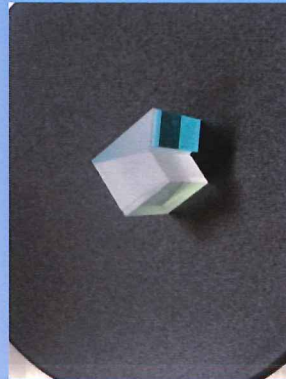
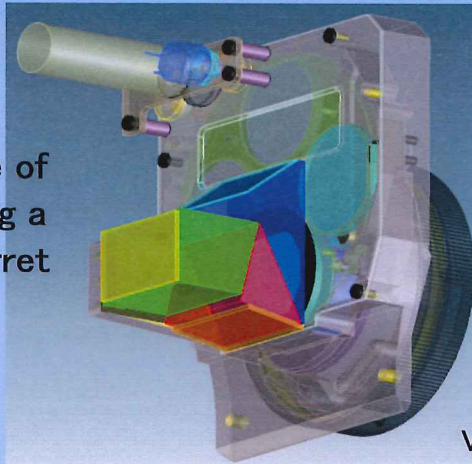


Custom optical product design / development case
 Prism that resolves various wavelengths

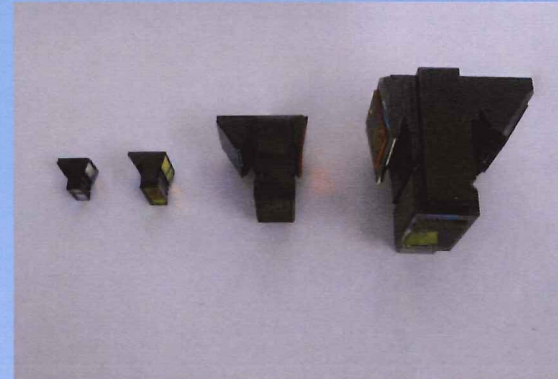
We will propose the shape, spectral characteristics, and peripheral mechanism by optimal design such as glass material, length, width, angle, etc. to suit your camera and sensor.

We have a track record of 2 sensors visible / infrared branch prism, 3 sensors 1/3 " ~ 1.25" prisms, 4 plate dual green prism, etc.

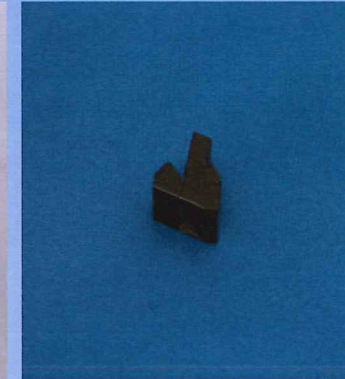
Example of mounting a filter tarret



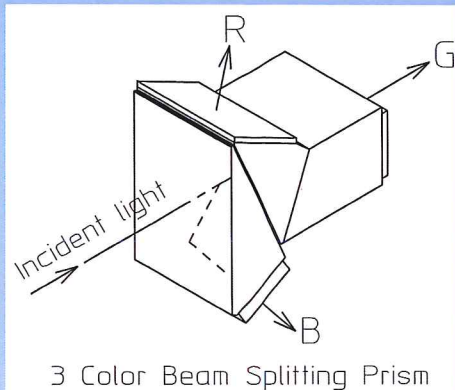
Visible / infrared branching prism



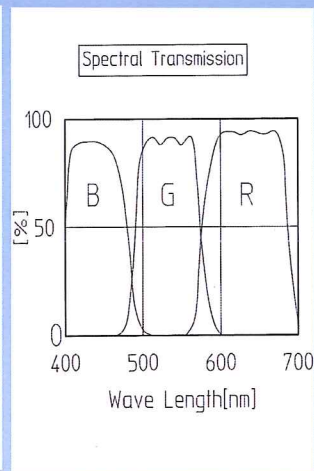
3 plates 1/3 " ~ 1.25" various prisms



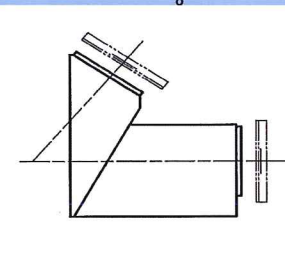
Dual G4 sensors prism



3 Color Beam Splitting Prism

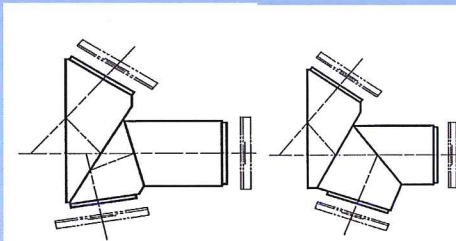


2 sensors



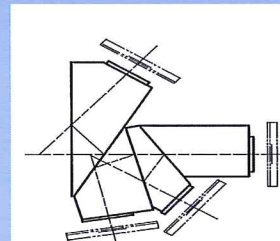
2 Beam splitting PRISM	
GREEN	B/R
VISIBLE	IR
VISIBLE	UV
VISIBLE	VISIBLE
IR-1	IR-2

3 sensors type



3 Beam splitting PRISM		
BLUE	GREEN	RED
VISIBLE	VISIBLE	IR
VISIBLE	VISIBLE	VISIBLE

4 sensors type



4 Beam splitting PRISM			
BLUE	GREEN	GREEN	RED
BLUE	GREEN	RED	IR



MUSASHI-OPT