

R9 Valve

9 mm Miniature Diaphragm Isolation Valve



Markets




- Clinical Diagnostics
- Analytical Chemistry
- Agent Detection
- Environmental Monitoring

Typical Applications

- Sampling
- Reagent Addition
- Flow Control
- Wash
- Waste

The R9 delivers the liquid flow capabilities of a 16 mm valve with a 9 mm envelope. A 44% reduction in width with unrivaled flows and pressures to 100 psi. Designed to offer low carryover performance with particulate and crystallization resistance, this valve is ideally suited for today's demanding liquid handling applications. The R9 supports the performance requirements of current and future laboratory and portable instrumentation.

Features

- High pressure options available up to 100 PSI (6.9 bar)
- Easy mounting on 9 mm centers side to side, accommodating dispense over 96 well microplates
- Low unswept volume to minimize carryover
- Particulate and crystallization resistant
- 100% tested leak rate ensures a leak tight seal on every valve
- CE, REACH, and RoHS compliant   

Product Specifications

Physical Properties

Valve Type:	Diaphragm Rocker Isolation Valve
Valve Configuration:	3-Way Universal 2-Way Normally Closed
Media:	Liquids
Operating Environment/ Media Temperature:	EPDM 32 to 122F (0 to 50c) FFKM High Pressure (100psi, 40psi versions) 50 to 122F(10-50c) FFKM Standard Pressure (60psi, 20psi versions) 59 to 122F (15-50c)
Storage Temperature:	-4 to 158°F (-20 to 70°C)
Dimensions:	Width: 0.34" (8.7 mm) Depth: 1.46" (37 mm) Length: 2.71" (68.8 mm)
Weight:	Face Seal Version: 1.35 oz. (38.4g) 1/4-28 or M6 version: 1.63 oz. (46.1g)
Porting:	Face Seal, 1/4-28 & M6
Internal Volume:	Face Seal: 39.4µL 1/4-28 or M6: 116.6µL

Electrical

Voltage (VDC): 12 and 24 VDC \pm 5%									
Orifice:		0.030" (0.76 mm)				0.061" (1.55 mm)			
MAX PRESSURE	PSI	Vac to 100*		Vac to 60		Vac to 40*		Vac to 20	
	BAR	Vac to 6.9*		Vac to 4.1		Vac to 2.8*		Vac to 1.4	
POWER (WATTS)		12V	24V	12V	24V	12V	24V	12V	24V
	HIT	7.1*		4.5	4.8	7.1*		4.5	4.8
	HOLD	1.8		1.1	1.2	1.8		1.1	1.2
Max (mA):		592	296	375	200	592	296	375	200
Resistance: (Ohms)**:		20.5	81	32	120	20.5	81	32	120
Connections:									
2.54 mm pitch male pins, 18" (46 cm) Flying									
*Requires hit and hold circuit									
**(±5% @ 68°F, 20°C)									

Wetted Materials*

Seals:	EPDM or FFKM
Base:	PEEK (polyetheretherketone)
1/4-28 / M6 Sub Base Manifold	PEEK (polyetheretherketone)
* See Chemical Compatibility Page Consult factory for other options	

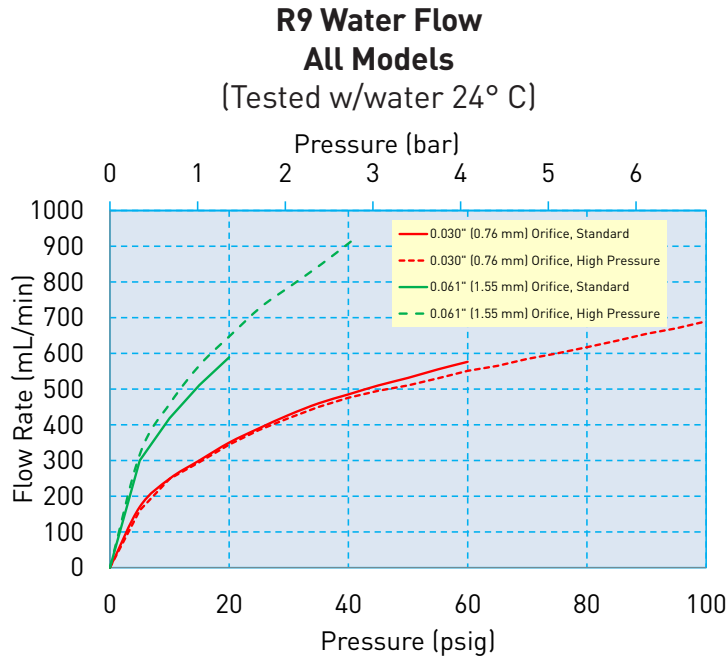
Performance Characteristics

Operating Proof Pressure:	Face Seal 200 PSI (13.8 bar) 1/4-28 and M6 150 PSI (10.3 bar)
Leak Rate:	Bubble Tight
Response Time:	18 msec max
Recommended Filtration:	5 µm
Reliability:	10 Million Cycles



R9 Miniature Diaphragm Isolation Valve

Typical Flow Curve



Electrical Interface



Male Pins
(2.54 mm pitch male pins)



Wire Leads*
18" (46 cm)

*Custom lead length available.

Liquid Interface



Face Seal
(Manifold Mount)



1/4 - 28 Ports
(Threaded Connector)



M6 Ports
(Threaded Connector)

Locator pins help prevent mounting the valve backwards and ensure proper alignment of the ports to the fluid passageways in the manifold. Pins prevent a 2-way valve from being mounted in the place of a 3-way valve and vice versa.
Molex® Connector Female P/N 22-01-2027 / Molex® Terminal Crimp Socket P/N 08-52-0105 or P/N 08-52-0106

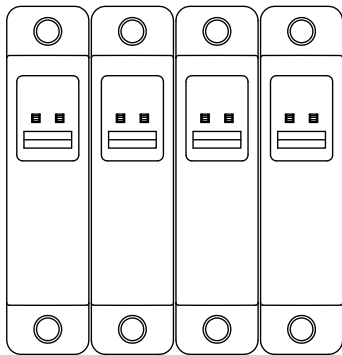


R9 Miniature Diaphragm Isolation Valve

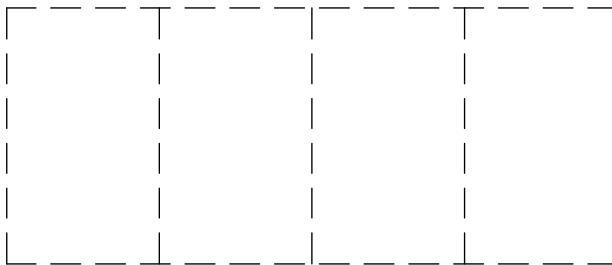


R9

Footprint Comparison to 16 mm Valve

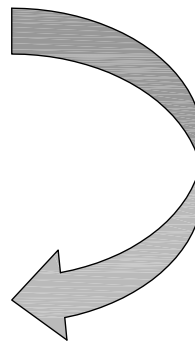


FOOTPRINT OF 4 R9 VALVES



FOOTPRINT OF 4 16mm VALVES

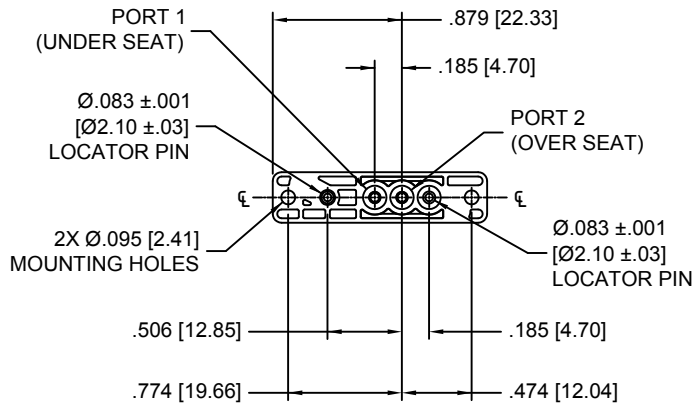
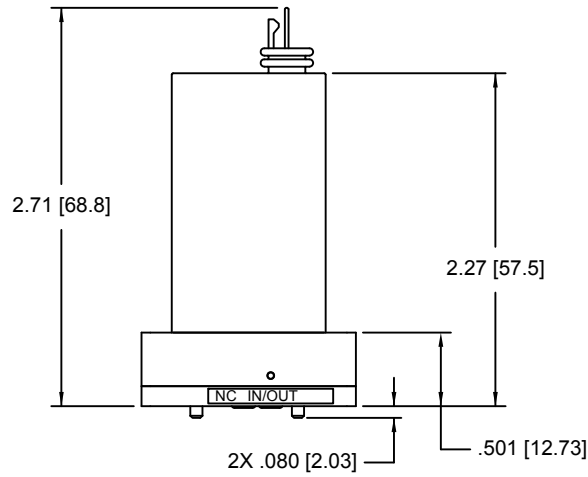
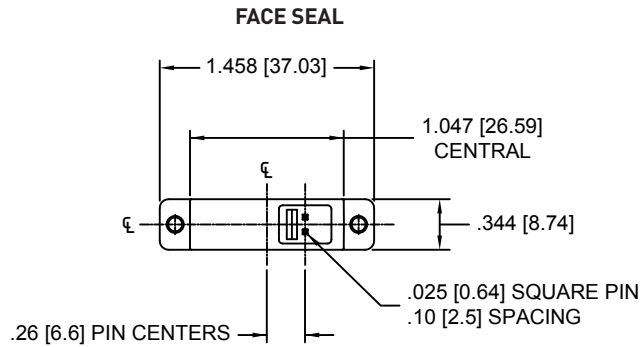
44% REDUCTION IN
WIDTH RESULTS IN 39%
REDUCTION IN AREA



R9 Miniature Diaphragm Isolation Valve

Mechanical Integration Dimensions

2-Way Dimensions



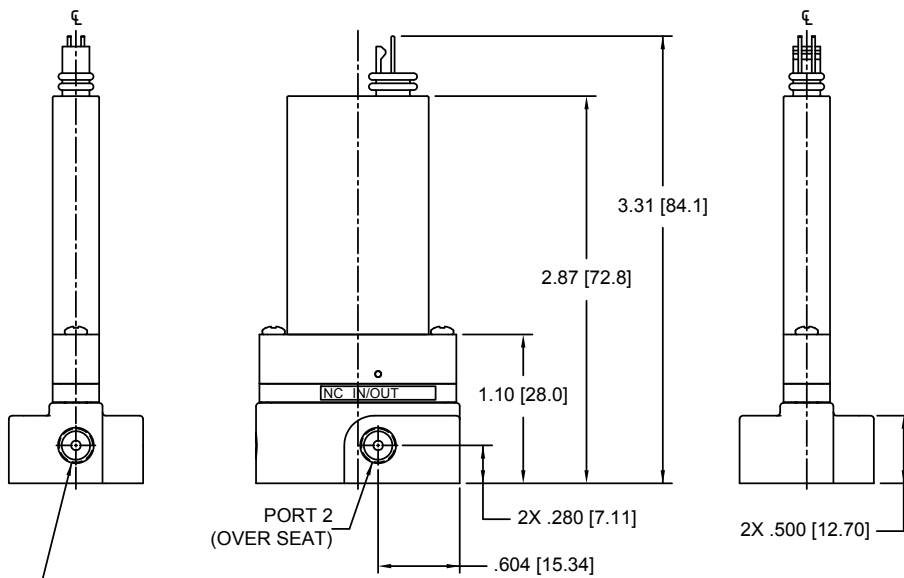
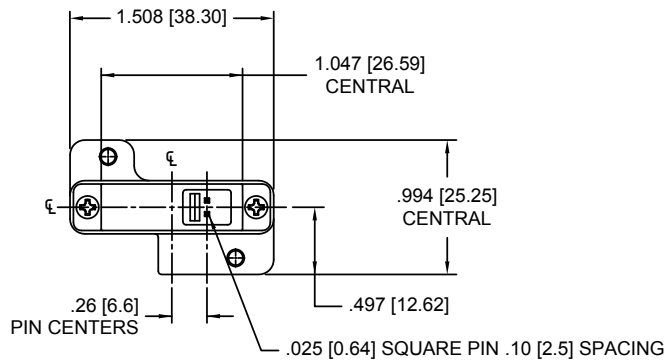
UNITS
IN. [mm.]

R9 Miniature Diaphragm Isolation Valve

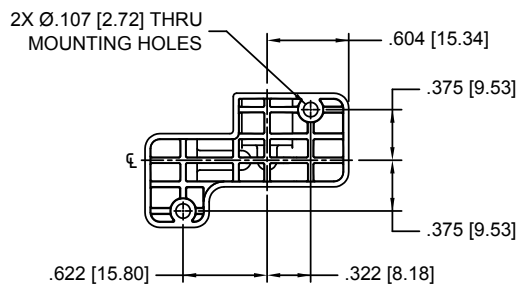
Mechanical Integration Dimensions

2-Way Dimensions

1/4-28 OR M6 SUB BASE



FLAT BOTTOM PORTS
 2X 1/4-28 UNF-2B ∇ .320 \pm .002 MIN .24 THREAD DEPTH
 OR [M6X1 - 6H ∇ 8.89 \pm 0.05 MIN 7.1] THREAD DEPTH
 PORT 1 (UNDER SEAT)

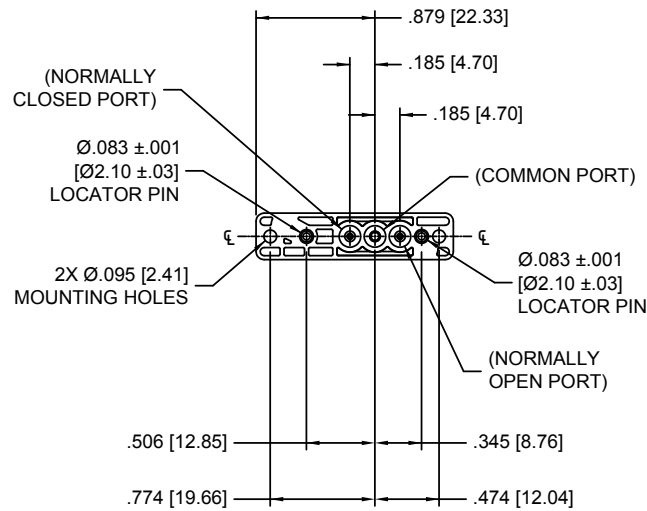
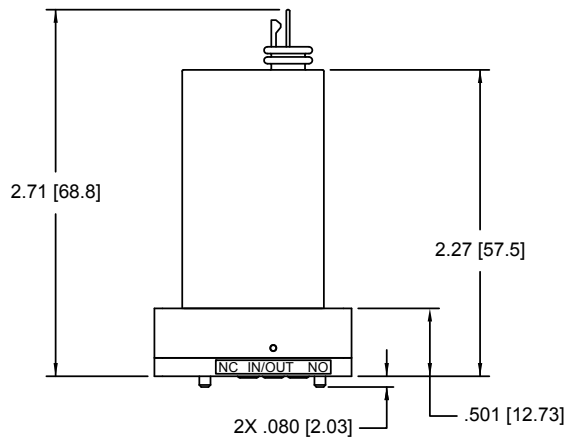
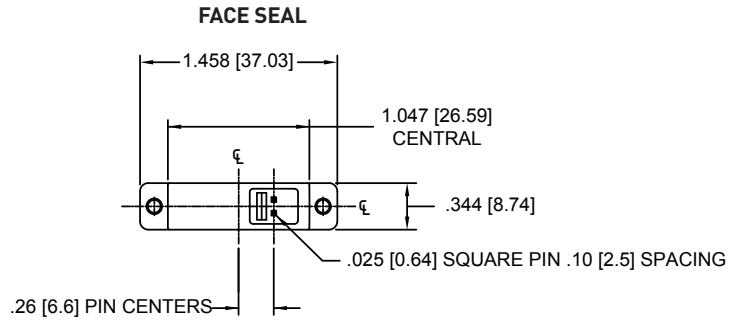


UNITS
IN. [mm.]

R9 Miniature Diaphragm Isolation Valve

Mechanical Integration Dimensions

3-Way Dimensions



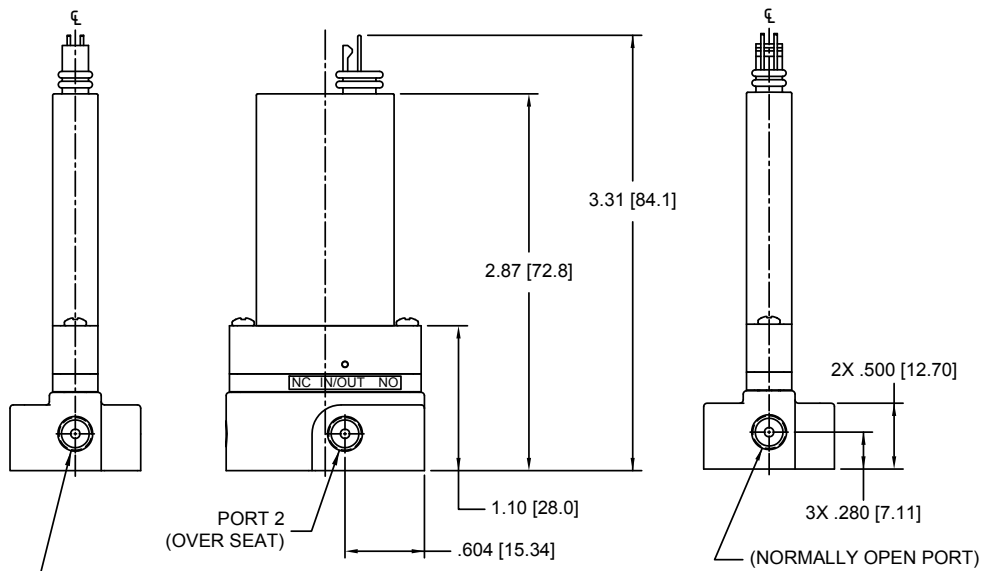
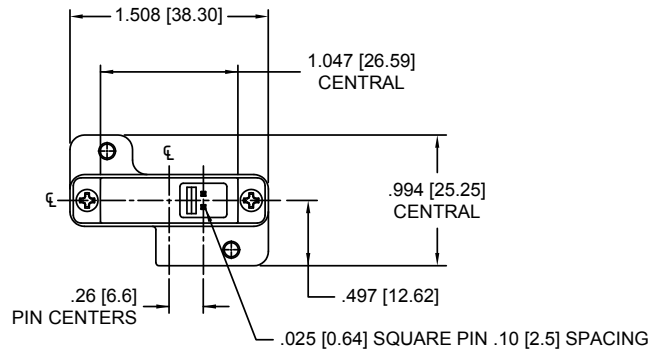
UNITS
IN. [mm.]

R9 Miniature Diaphragm Isolation Valve

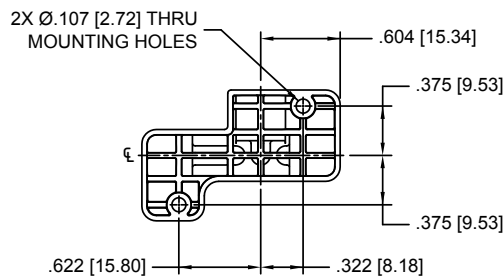
Mechanical Integration Dimensions

3-Way Dimensions

1/4 -28 OR M6



FLAT BOTTOM PORTS
2X 1/4-28 UNF-2B ∇ .320 \pm .002 MIN .24 THREAD DEPTH
OR [M6X1 - 6H ∇ 8.89 \pm 0.05 MIN 7.1] THREAD DEPTH
PORT 1 (UNDER SEAT)



UNITS
IN. [mm.]

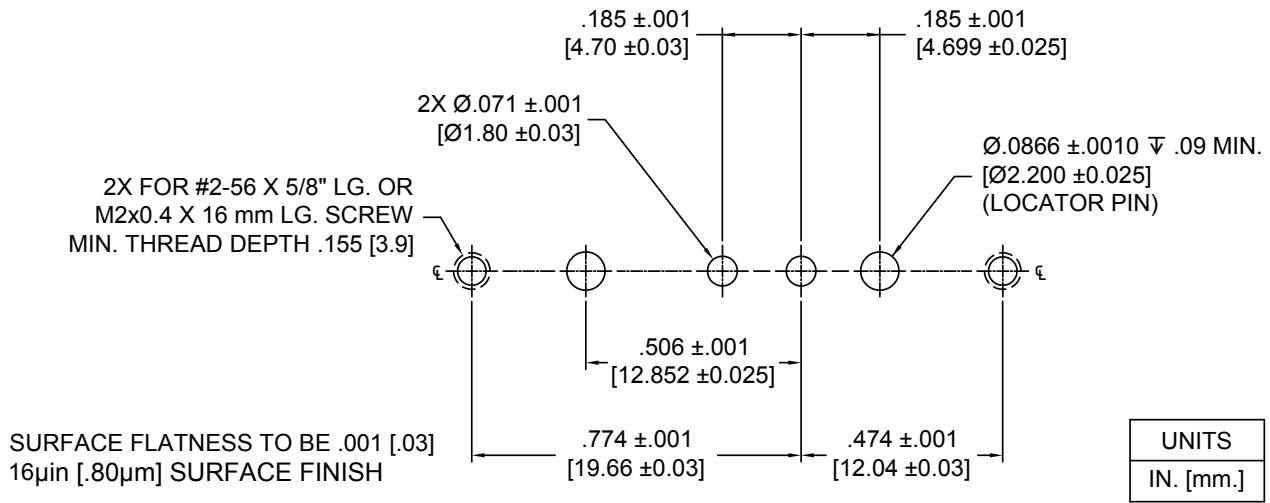


R9 Miniature Diaphragm Isolation Valve

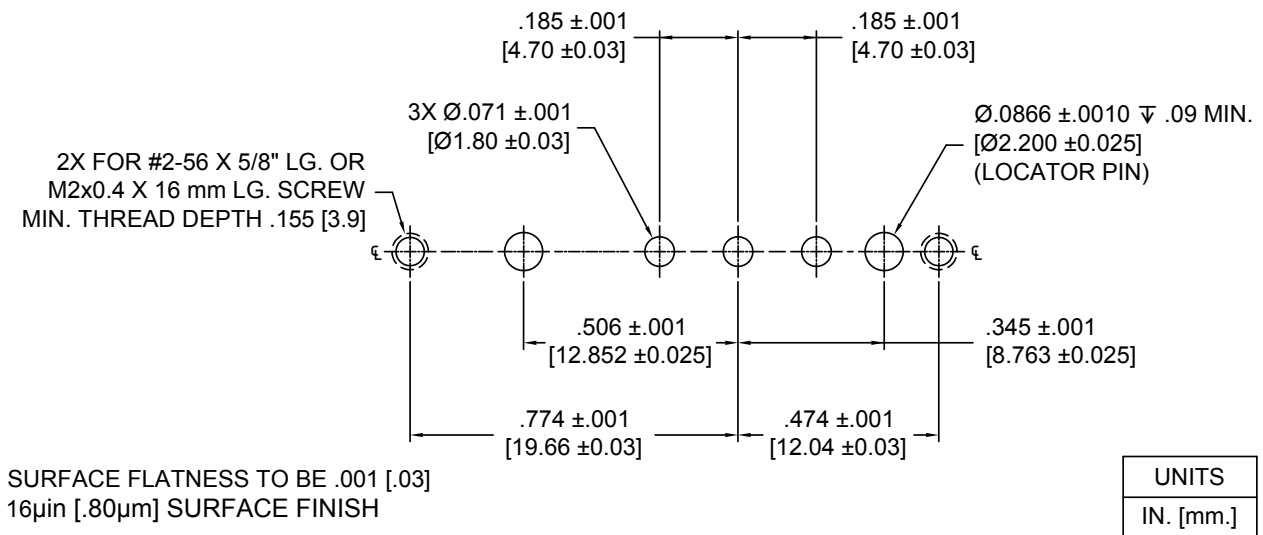
Installation and Use

R9 Manifold Interface Recommended R9 Valve Mounting

R9 2-WAY MANIFOLD INTERFACE



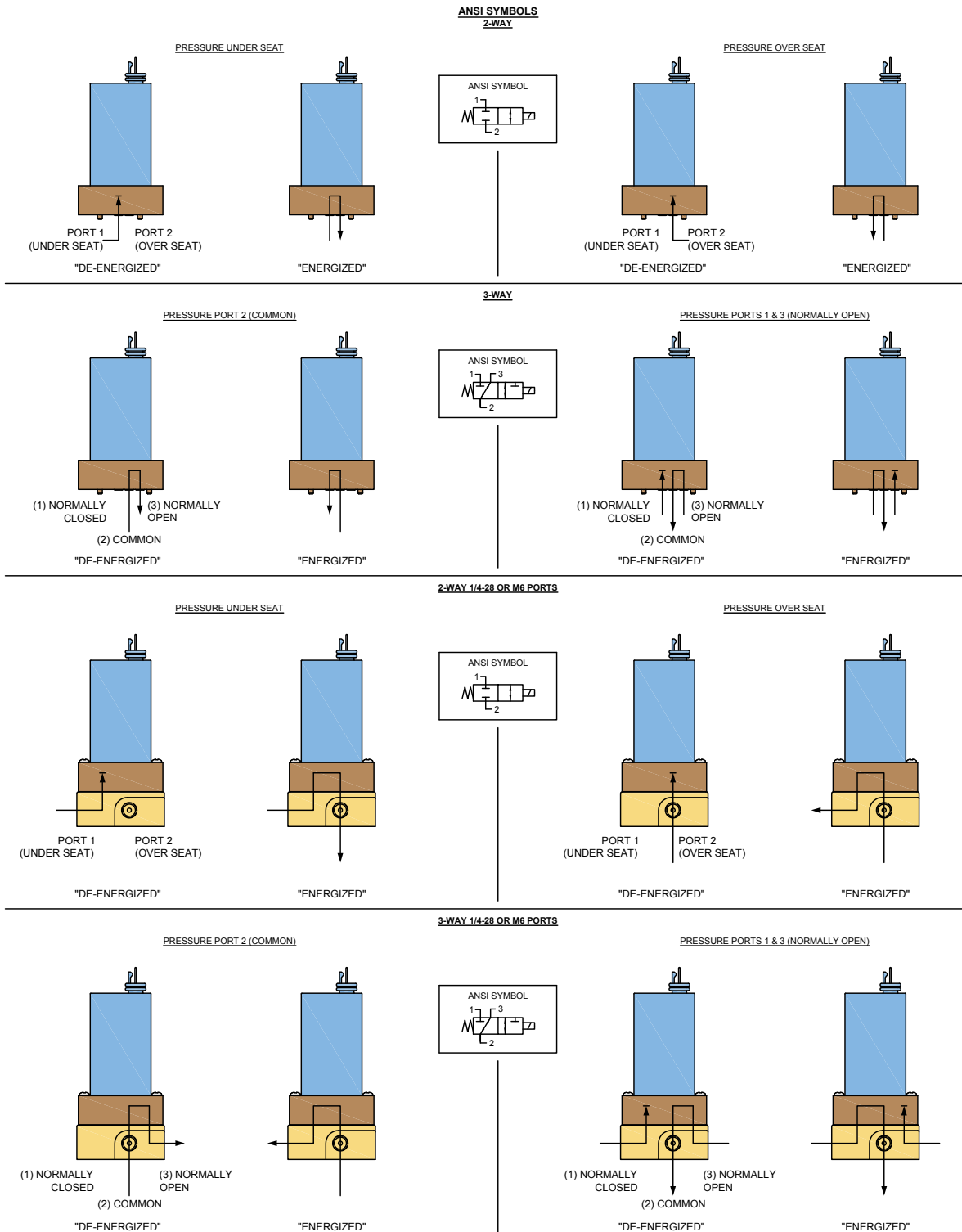
R9 3-WAY MANIFOLD INTERFACE



R9 Miniature Diaphragm Isolation Valve

ANSI Symbols

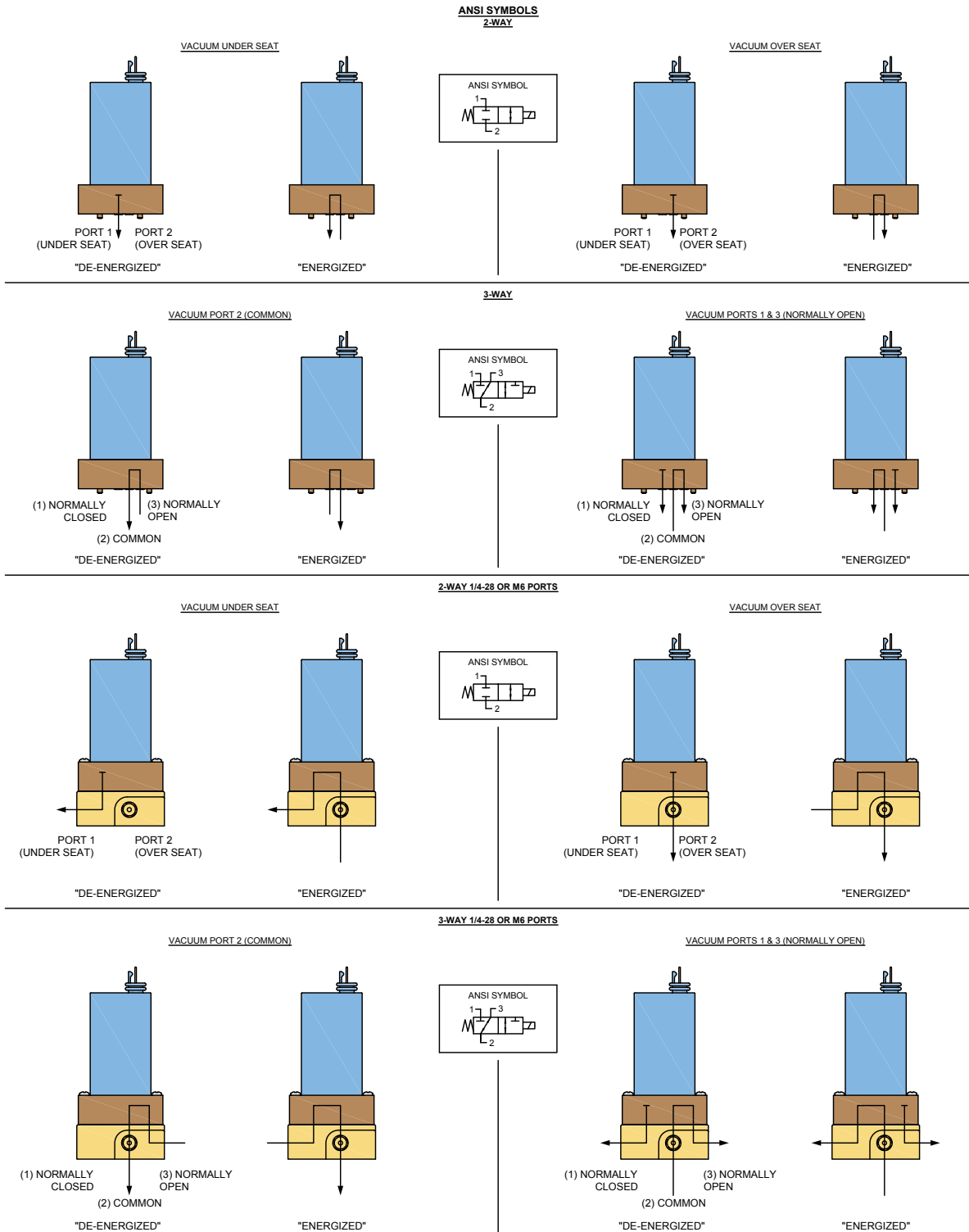
Pressure



R9 Miniature Diaphragm Isolation Valve

ANSI Symbols

Vacuum



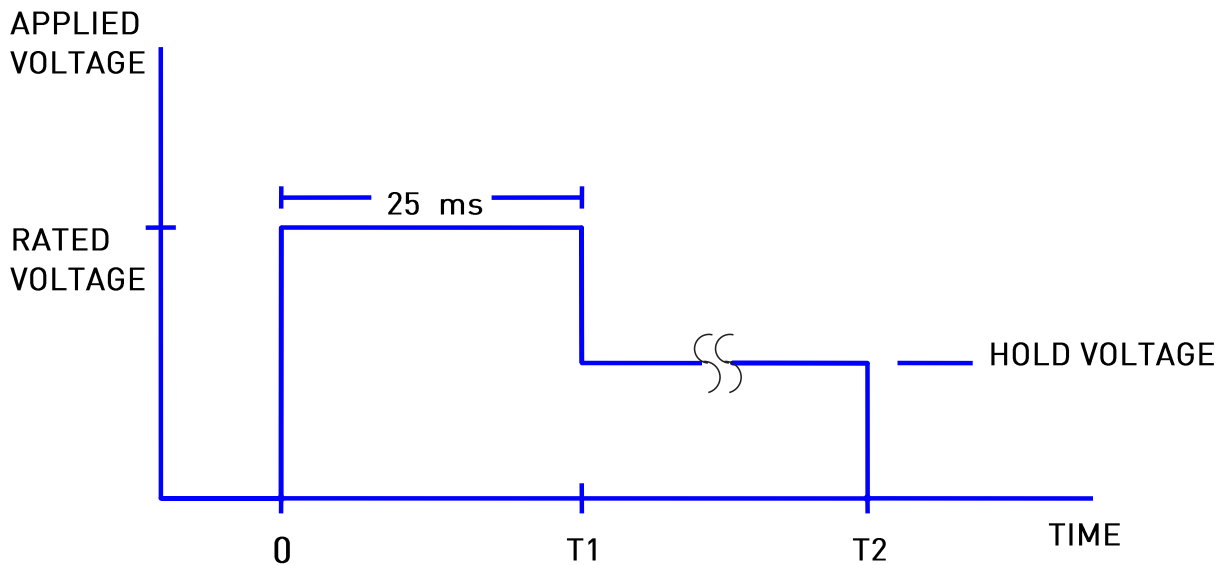
R9 Miniature Diaphragm Isolation Valve

Hit and Hold Specifications

Hit and Hold is a method for driving valves that can be used to reduce power consumption and heat generation while maintaining valve performance specifications. The valve is “hit” with the full rated voltage for some time period to open it (T1 in the graph) and then “held” open with substantially reduced voltage until the desired pulse length is reached (T2 in the graph). The following table shows the possible holding voltages and power consumption for our standard 12 and 24 VDC solenoids. A hit and hold circuit is required for use with the high pressure version.

Rated Voltage (VDC)	High Pressure Versions* 100 PSI (6.9 bar) & 40 PSI (2.8 bar) Max		Standard Versions 60 PSI(4.1 bar) & 20 PSI (1.4 bar)Max	
	Hold Voltage	Hold Power	Hold Voltage	Hold Power
24	12VDC	1.8 watts	12VDC	1.2 watts
12	6VDC	1.8 watts	6VDC	1.1 watts

*Requires hit and hold circuit



Hold Voltage Graph

R9 Miniature Diaphragm Isolation Valve

Chemical Compatibility Chart*

Chemical	Diaphragm Options		Other Wetted Materials
	FFKM	or EPDM	PEEK
DI Water	1	1	1
Methanol	1	1	1
Isopropanol	1	1	1
Ethanol	1	1	1
Acetonitrile	1	1	1
Tetrahydrofuran	1	4	1
Toluene	1	4	1
Organic Acids - Dilute	1	1	1
Non Organic Acids - Dilute	1	1	1
Bases - Dilute	1	1	1
Saline	1	1	1
Bleach 12%	2	1	1
Sodium Hydroxide 20%	1	1	1

Compatibility Legend

1. EXCELLENT
Minimal or no effect
2. GOOD
Possible swelling and or loss of physical properties
3. DOUBTFUL
Moderate or severe swelling and loss of physical properties
4. NOT RECOMMENDED
Severe effect and should not be considered

*The above is an Abbreviated Chemical Compatibility Chart. Please consult factory for additional information.

Regulatory

EMC Directive:

IEC61000-4-2: 2008-12 ESD - Criterion A
 IEC61000-4-3: 2010-04 Radiated Susceptibility - Criterion A
 CISPR11: 2010-05 Radio Frequency Emission - Class B

Low Voltage Directive

IEC61010-1: 3rd 2010-06 Sec. 10.1 Surface temperature limits for protection against burns

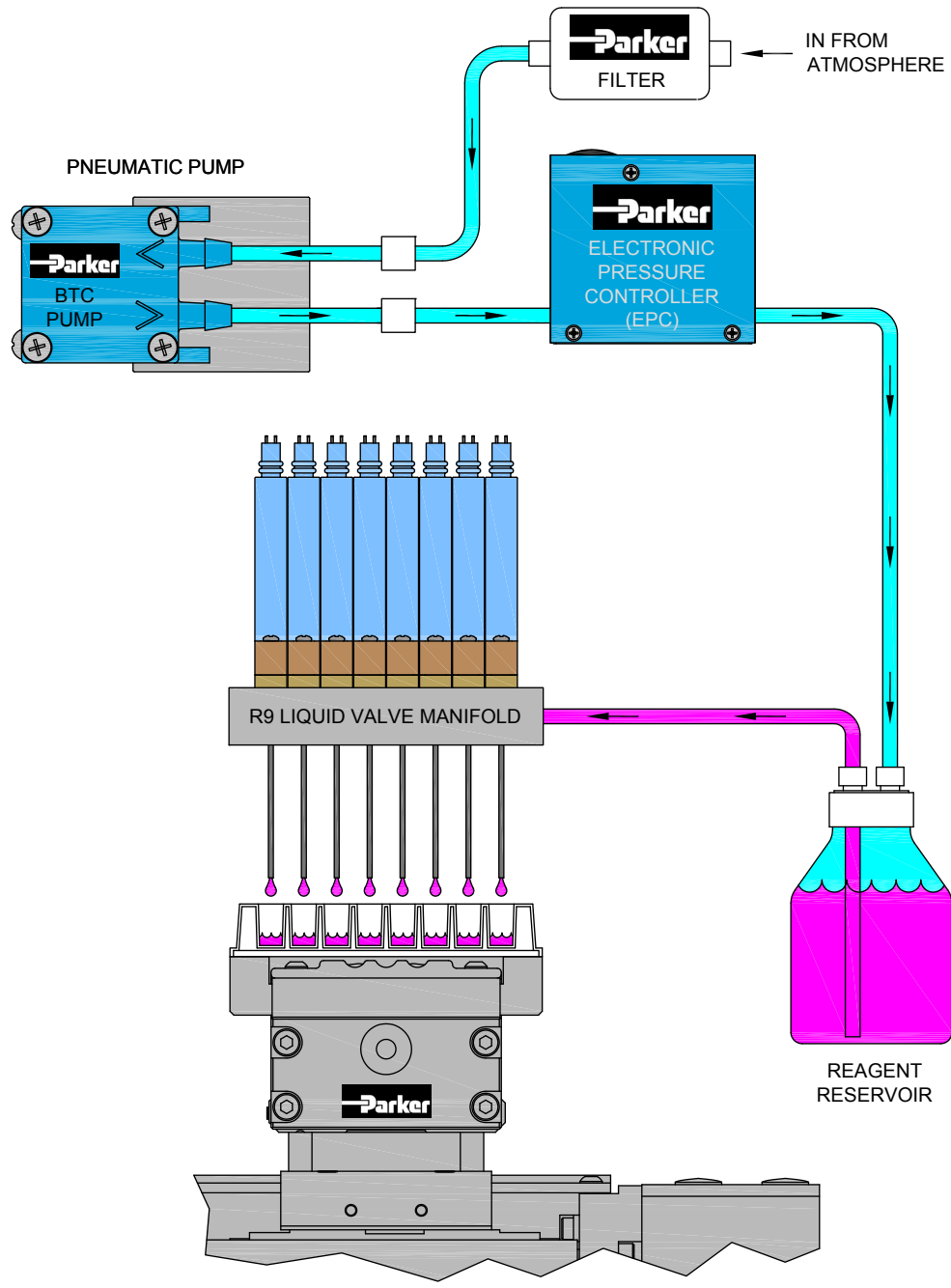
RoHS Directive (2002/95/EC)

REACH EC 1907/2006

R9 Miniature Diaphragm Isolation Valve

Typical Flow Diagram

9 mm on Center Dispense Application

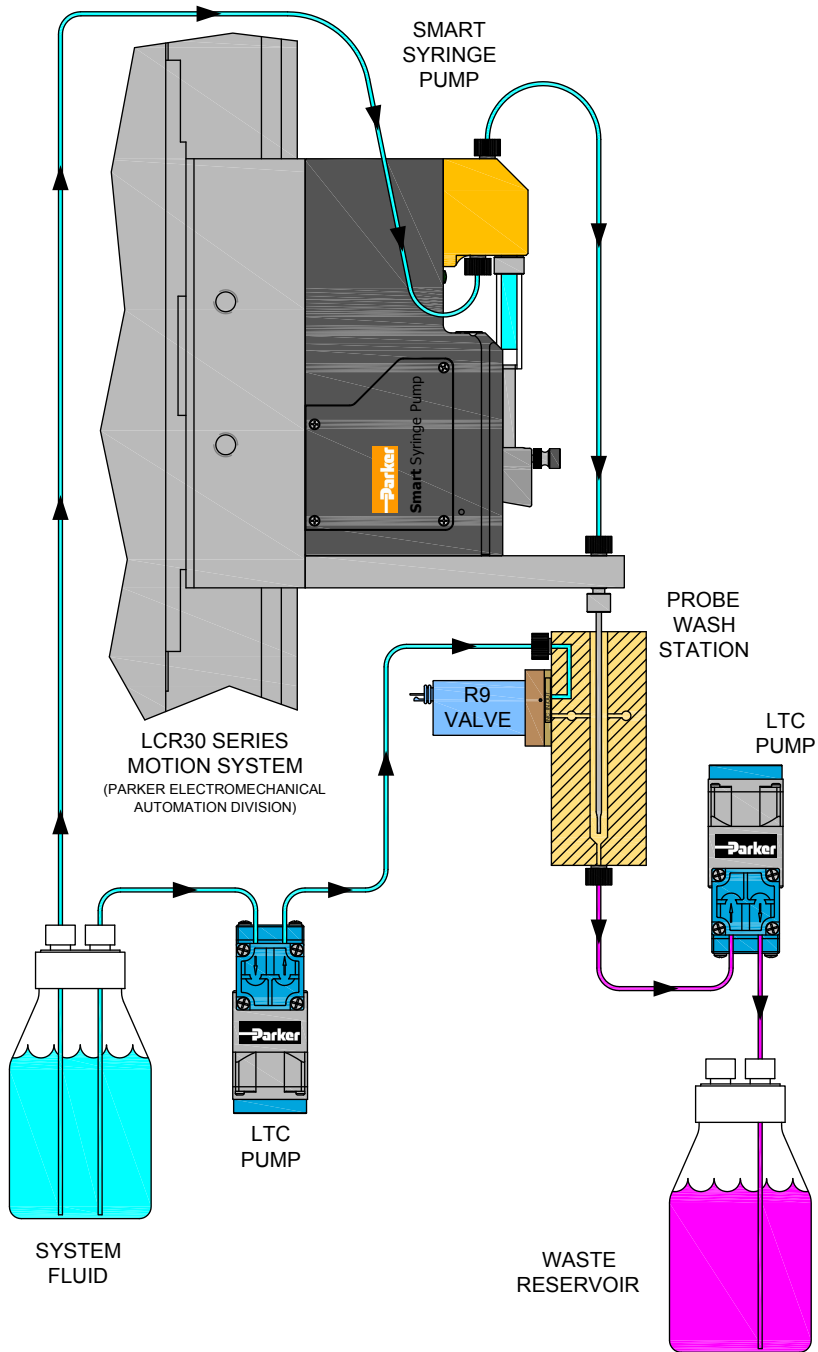


400XE SERIES MOTION SYSTEM
(PARKER ELECTROMECHANICAL AUTOMATION DIVISION)

R9 Miniature Diaphragm Isolation Valve

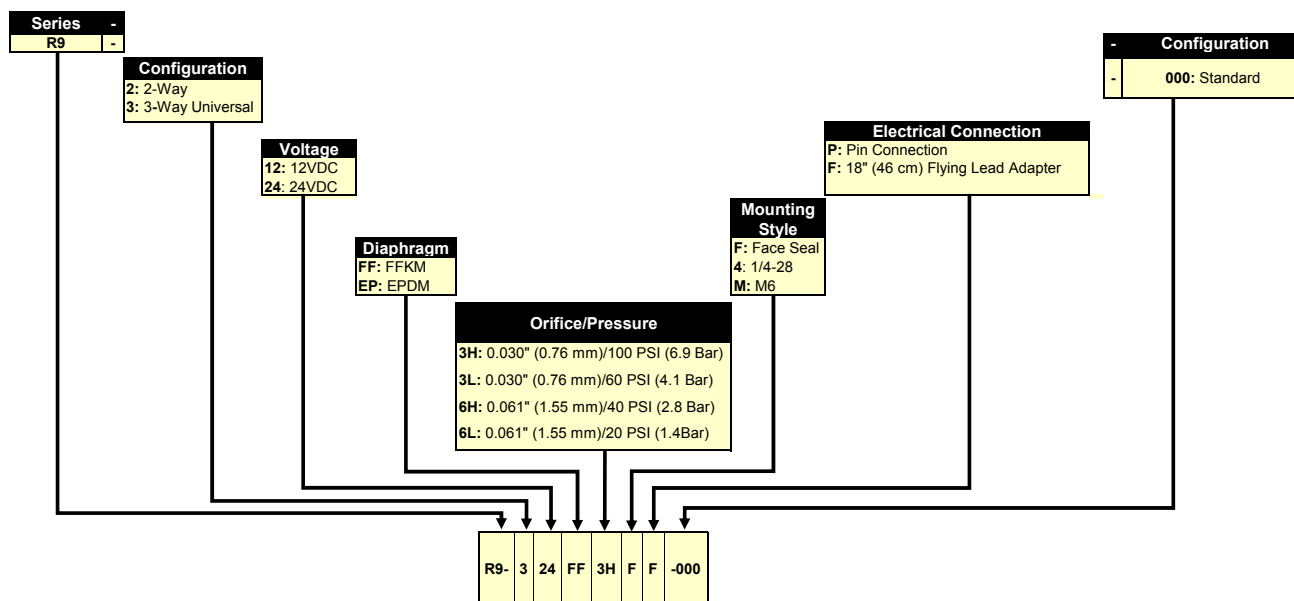
Typical Flow Diagram

Probe Wash Station



R9 Miniature Diaphragm Isolation Valve

Ordering Information



Example Part Number Three way, 24 Volt, FFKM Diaphragm/seals, 0.030" (0.76 MM) orifice, 100PSI (6.9 Bar) Max Pressure, Face Seal, 18"(46 cm) flying lead adapter. (Screws sold separately)

Accessories	
Part Number	Description
R9-0003-016	1/4 - 28 Female Threaded Sub Base Manifold, 2-Way
R9-0001-016	1/4 - 28 Female Threaded Sub Base Manifold, 3-Way
R9-0004-016	M6 Female Threaded Sub Base Manifold, 2-Way
R9-0002-016	M6 Female Threaded Sub Base Manifold, 3-Way
LQX-0001-290-001	18" (46 cm) Flying Lead Adapter
M2-0004-630-PNPH	Mounting Screw, SST 18-8, Metric, 16 MM LG (2 Required)
002-0056-625PNPH	Mounting Screw, SST 18-8, 2-56, 5/8" LG (2 Required)
R9-0001-300	FFKM O-Ring
R9-0002-300	EPDM O-Ring

NOTE: In order to provide the best possible solution for your application, please provide the following requirements when contacting Applications Engineering:

- Media, Inlet & Outlet Pressures
- Minimum Required Flow Rate
- System Supply Voltage
- Media and Media Temperature Range
- Ambient Temperature Range

Please click on the Order On-line button (or go to www.parker.com/precisionfluidics/R9) to configure your R9 Miniature Diaphragm Isolation Valve. For more detailed information, visit us on the Web, or call 603-595-1500.

NOTES
