

MARVEL

LCP Trochanteric Grip and Periprosthetic Cable-Plates



System Overview

The MARVEL™ LCP Trochanteric Grip Cable-Plate is designed to provide superior fixation for reattachment of the greater trochanter following osteotomy or fracture, and additional distal fixation to help counteract the torsional forces of the abductor muscles. The LCP Curved Broad Cable-Plate 4.5mm is intended for fixation of femur shaft. Holes integrated in the grips allow passage of the 1.7 mm cerclage cables for secure fixation of the plate to bone. The unique figure-of-eight design of the screw fixation holes allows using the locking or compression screws, giving the surgeon greater flexibility in the management of complex fractures.

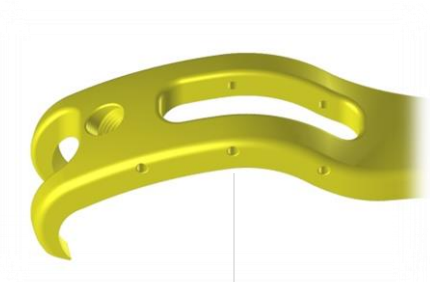
Implant Features

Large proximal hooks engage lateral cortex of trochanter for rotational stability.

Stability by fixation with the cable allows fracture reduction and restore of anatomical function as well as provides early, pain-free mobilization.

Scallop-shapes for reduced and uniform plate stiffness, and better cable grip.

Smooth edges and distal tapering end for minimized soft tissue irritation.



Holes integrated in the grips allow passage of the cable for securing fixation of the plate to bone.

5.0 mm Periprosthetic Locking Screw for unicortical fixation

Provides the flexibility of conventional screw fixation or fixed-angle constructs.

Cable Positioning Pin

5.0 mm Locking Screws



Indications for Use

LCP Trochanteric Grip Cable-Plate

- Trochanteric osteotomy
- Extended trochanteric osteotomy
- Trochanteric fracture
- Periprosthetic long bone fractures

LCP Curved Broad Cable-Plate 4.5mm

- Periprosthetic long bone fractures
- Comminuted long bone fractures
- Fractures in osteopenic bone



Implant Information



LCP Trochanteric Grip Cable-Plate 4.5 mm, Long

REF (SS)	REF (TIT)	HOLES	DIRECTION
MOI 15347003	MOI 35347003	3	Left
MOI 15347005	MOI 35347005	5	Left
MOI 15347007	MOI 35347007	7	Left
MOI 15347009	MOI 35347009	9	Left
MOI 15347011	MOI 35347011	11	Left
MOI 15348003	MOI 35348003	3	Right
MOI 15348005	MOI 35348005	5	Right
MOI 15348007	MOI 35348007	7	Right
MOI 15348009	MOI 35348009	9	Right
MOI 15348011	MOI 35348011	11	Right

Screws: 5.0 mm Locking Screws / 4.5 mm Cortex Screws
5.0 mm Periprosthetic Locking Screws



LCP Trochanteric Grip Cable-Plate 4.5 mm, Short

REF (SS)	REF (TIT)	HOLES
MOI 15350001	MOI 35350001	1

Screws: 5.0 mm Locking Screws
5.0 mm Periprosthetic Locking Screws



Cable 1.7 mm

REF (SS)	REF (TIT)	DIA	LENGTH
MOI 15351017	MOI 35351017	1.7 mm	650 mm



LCP Curved Broad Cable-Plate 4.5mm

REF (SS)	REF (TIT)	HOLES
MOI 15349012	MOI 35349012	12
MOI 15349014	MOI 35349014	14
MOI 15349016	MOI 35349016	16
MOI 15349018	MOI 35349018	18
MOI 15349020	MOI 35349020	20
MOI 15349022	MOI 35349022	22
MOI 15349024	MOI 35349024	24

Screws: 5.0 mm Locking Screws / 4.5 mm Cortex Screws
5.0 mm Periprosthetic Locking Screws



Cerclage Positioning Pin 5.0 mm (Optional)

REF (SS)	REF (TIT)
MOI 15352005	MOI 35352005

Cable Crimp



REF (SS)	REF (TIT)	DIA
MOI 15353017	MOI 35353017	1.8 mm

Locking Screws and Cortex Screws



5.0 mm Locking Screws

REF (SS)	REF (TIT)	LENGTH
MOI 15227015	MOI 35227015	15 mm
MOI 15227020	MOI 35227020	20 mm
MOI 15227025	MOI 35227025	25 mm
MOI 15227030	MOI 35227030	30 mm
MOI 15227035	MOI 35227035	35 mm
MOI 15227040	MOI 35227040	40 mm
MOI 15227045	MOI 35227045	45 mm
MOI 15227050	MOI 35227050	50 mm
MOI 15227055	MOI 35227055	55 mm
MOI 15227060	MOI 35227060	60 mm
MOI 15227065	MOI 35227065	65 mm
MOI 15227070	MOI 35227070	70 mm
MOI 15227075	MOI 35227075	75 mm
MOI 15227080	MOI 35227080	80 mm
MOI 15227085	MOI 35227085	85 mm
MOI 15227090	MOI 35227090	90 mm
MOI 15227095	MOI 35227095	95 mm
MOI 15227100	MOI 35227100	100 mm
MOI 15227105	MOI 35227105	105 mm
MOI 15227110	MOI 35227110	110 mm



5.0 mm Periprosthetic Locking Screws

REF (SS)	REF (TIT)	LENGTH
MOI 15354010	MOI 35354010	10 mm
MOI 15354012	MOI 35354012	12 mm
MOI 15354014	MOI 35354014	14 mm
MOI 15354018	MOI 35354018	18 mm

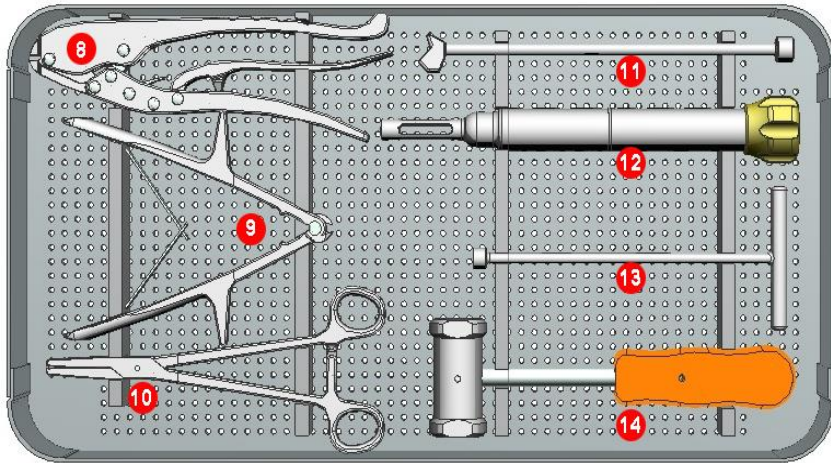
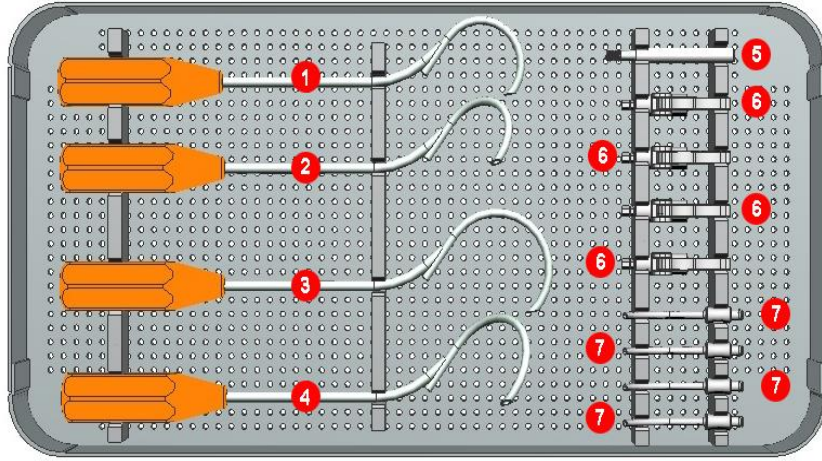


4.5 mm Cortex Screws

REF (SS)	REF (TIT)	LENGTH
MOI 14600016	MOI 34600016	16 mm
MOI 14600018	MOI 34600018	18 mm
MOI 14600020	MOI 34600020	20 mm
MOI 14600022	MOI 34600022	22 mm
MOI 14600024	MOI 34600024	24 mm
MOI 14600026	MOI 34600026	26 mm
MOI 14600028	MOI 34600028	28 mm
MOI 14600030	MOI 34600030	30 mm
MOI 14600032	MOI 34600032	32 mm
MOI 14600034	MOI 34600034	34 mm
MOI 14600036	MOI 34600036	36 mm
MOI 14600038	MOI 34600038	38 mm
MOI 14600040	MOI 34600040	40 mm
MOI 14600042	MOI 34600042	42 mm
MOI 14600044	MOI 34600044	44 mm
MOI 14600046	MOI 34600046	46 mm
MOI 14600048	MOI 34600048	48 mm
MOI 14600050	MOI 34600050	50 mm
MOI 14600052	MOI 34600052	52 mm
MOI 14600054	MOI 34600054	54 mm
MOI 14600056	MOI 34600056	56 mm
MOI 14600058	MOI 34600058	58 mm
MOI 14600060	MOI 34600060	60 mm
MOI 14600062	MOI 34600062	62 mm
MOI 14600064	MOI 34600064	64 mm
MOI 14600066	MOI 34600066	66 mm
MOI 14600068	MOI 34600068	68 mm
MOI 14600070	MOI 34600070	70 mm
MOI 14600072	MOI 34600072	72 mm
MOI 14600074	MOI 34600074	74 mm
MOI 14600076	MOI 34600076	76 mm
MOI 14600078	MOI 34600078	78 mm
MOI 14600080	MOI 34600080	80 mm

INSTRUMENTS INFORMATION

MARVEL™ LCP Trochanteric Grip and Periprosthetic Cable-Plate System Instrument Set (MOI MARVEL-01)



REF	DESCRIPTION	UNITS
1	MOI 3900001 Small Cable Passer	1
2	MOI 3900002 Small Cable Passes, 45° angle	1
3	MOI 3900003 Large Cable Passer	1
4	MOI 3900004 Large Cable Passes, 45° angle	1
5	MOI 3900005 Locking Rod, for Grip Impactor	1
6	MOI 3900006 Provisional Tensioning Holder	4
7	MOI 3900007 Attachment Bit, for Tensioning Holder	4
8	MOI 3900008 Cable Crimper	1
9	MOI 3900009 Cable Cutter	1
10	MOI 3900010 Cable Holder	1
11	MOI 3900011 Grip Impactor	1
12	MOI 3900012 Cable Tensioner	1
13	MOI 3900013 Screwdriver for Positioning Pin	1
14	MOI 3900014 Hammer	1
*	MOI 390000C Trays and Container	1



| TRAUMA

USA OFFICE

2404 Hollywood Blvd.
Hollywood, FL 33020

PUERTO RICO OFFICE

1660 Santa Ana Street
Esq. Fidalgo Diaz,
San Juan, Puerto Rico 00909

E-mail: info@madisonorthoinc.com
Website: www.madisonorthoinc.com

