

Overhead suspended lead glass shield

350/45-001 (40 cm x 50 cm 2.2 mm PB equivalent shield)

Effective upper body protection

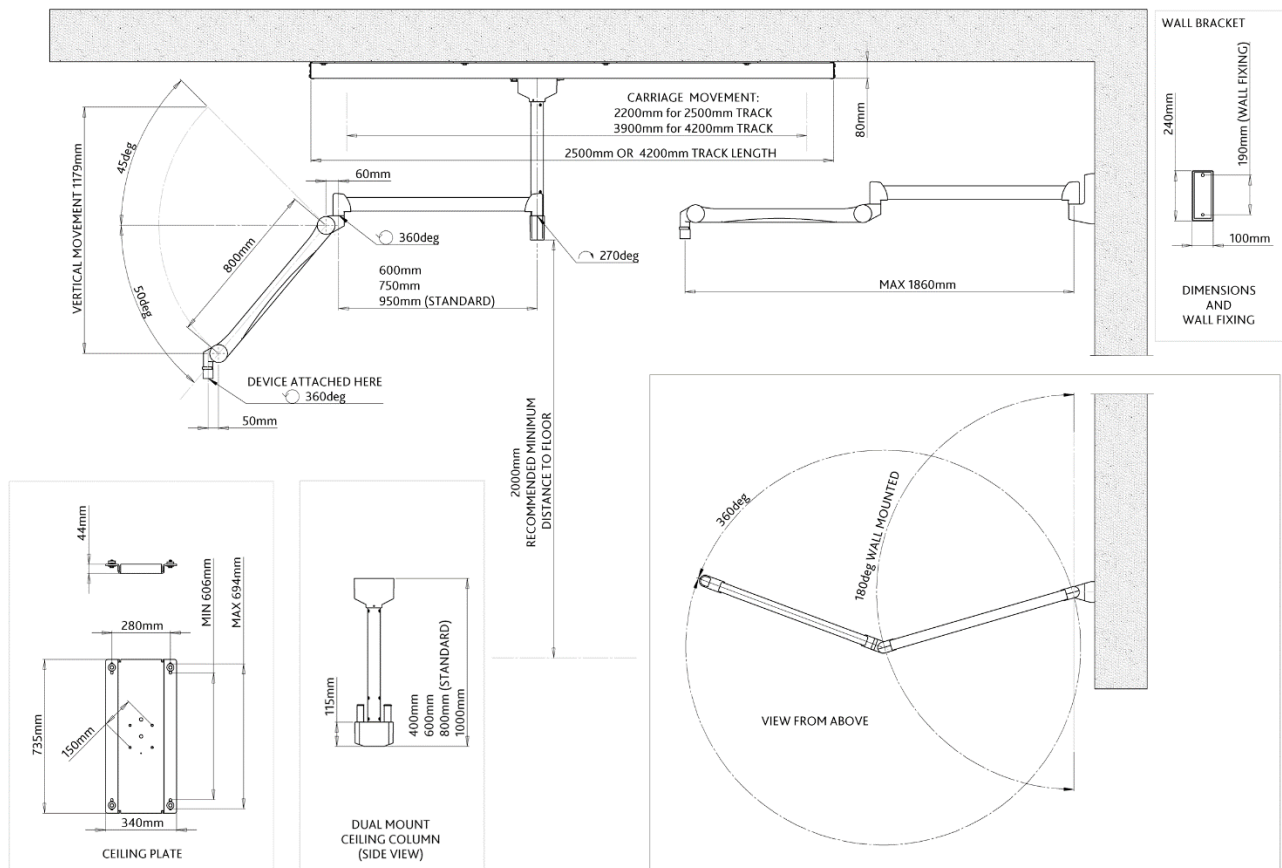
This 40 cm x 50 cm shield uses 2.2 mm equivalent lead glass (@150 kV) for effective protection to the upper body. The robust yoke assembly provides stability and protection to the window. The shield is fitted with a 0.5 mm Pb equivalent flexible curtain which is suspended beneath to further reduce scatter radiation.

Key features

- > 40 cm x 50 cm shield
- > 2.2 mm equivalent lead glass (@150 kV)
- > Shield is fitted with a 0.5 mm Pb equivalent flexible curtain.
- > Connects to a two-part suspension arm, supported by a ceiling column. Standard ceiling column length is 80 cm (see over – other lengths are available).
- > Ceiling column can be statically mounted to the ceiling or attached to a movable carriage in a ceiling track.
- > Optional installation aid #300/P/004 can be used to attach a column to Unistrut rails (or equivalent) in a suspended ceiling (see over).

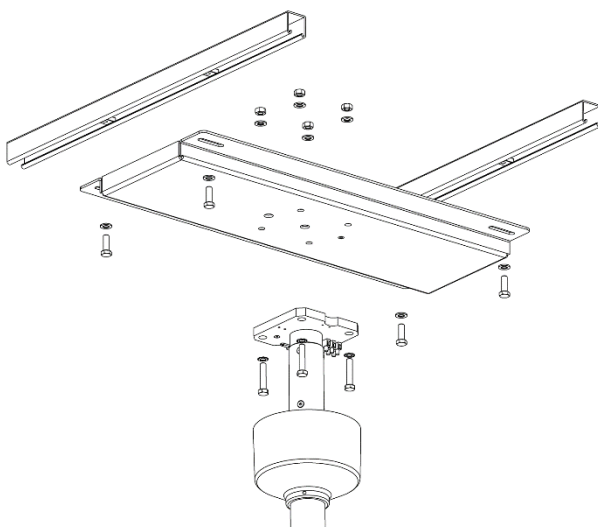


Technical specification



Optional installation aid

Ceiling plate #300/P/004
(shown with ceiling rails and ceiling column)



Weights

- 40 x 50 cm type 350 shield assembly **12 kg**
- Dual mount ceiling column (80 cm) **11 kg**
- Suspension arm **9 kg**
- Wall bracket **2 kg**
- Ceiling track **50 kg**
- Installation aid - Anchorage plate (#300/P/004) **15 kg**