

JIECANG ACTUATOR SYSTEM FOR HOSPITAL BED



JCH35A15



- Max available buttons:10
- Background light
- With mechanical lock
- Max IP grade:IPX6

JCB35T2



- Outputs for actuator:1-4
- Max output voltage(VDC):36
- Power supply:SMPS
- Connect separated battery
- Max IP grade:IPX6

JCHN35E1

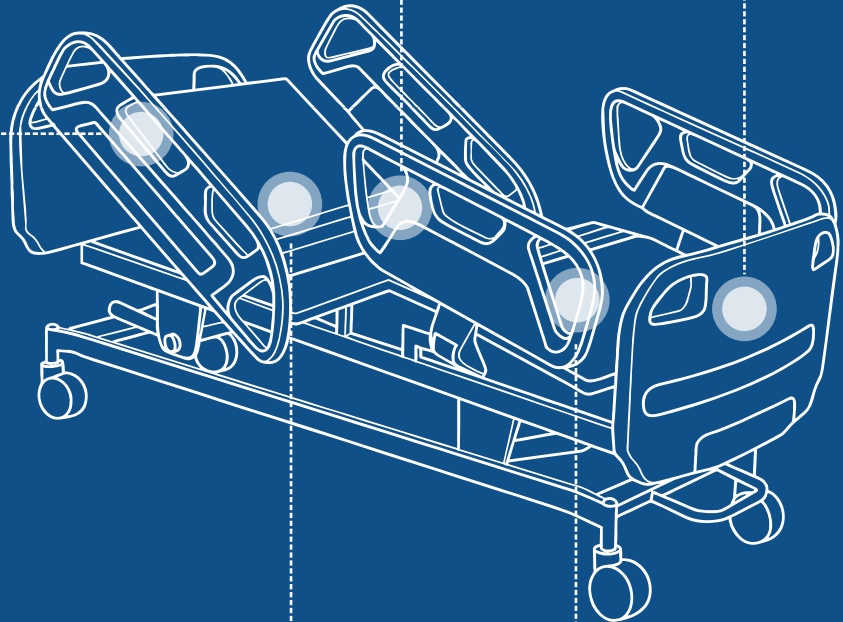


- Intuitive control up to 26 buttons
- Max IP grade:IPX6

JCH35A16



- Max available buttons:10
- Background light
- Max IP grade:IPX6



JC35B8



- Max load capacity(N):6000
- Max speed at full load(mm/s):12
- Max IP grade:IPX6

JC35L23



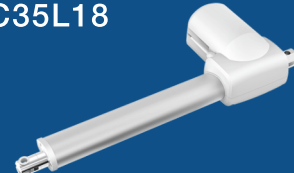
- Max load capacity(N):5000
- Max speed at full load(mm/s):5
- Min release force \leq 300N
- Max IP grade:IPX6

JC35L3



- Max load capacity(N):6000
- Max speed at full load(mm/s):7
- Max IP grade:IPX6

JC35L18



- Max load capacity(N):8000
- Max speed at full load(mm/s):3
- Max IP grade:IPX6