

JIECANG ACTUATOR SYSTEM FOR HOME-CARE BED



JCH35A12

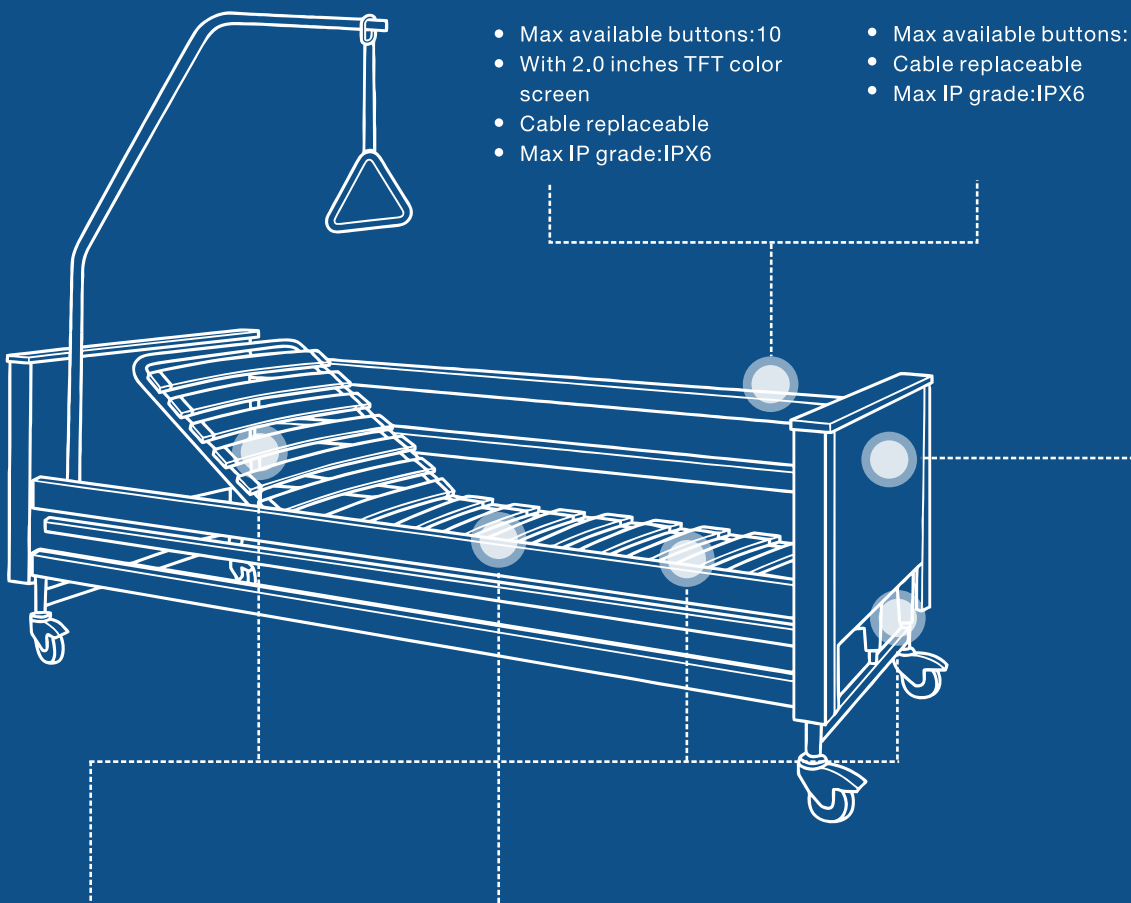


- Max available buttons:10
- With 2.0 inches TFT color screen
- Cable replaceable
- Max IP grade:IPX6

JCH35A18



- Max available buttons:10
- Cable replaceable
- Max IP grade:IPX6



JC35L9



- Max load capacity(N):6000
- Max speed at full load(mm/s):11
- Max IP grade:IPX6

JCB35T3



- Outputs for actuator:1-4
- Max output voltage(VDC):36
- Built-in dry battery, emergency drop function
- Connected to adaptor
- Max IP grade:IPX6

JCHN35E1(Optional)



- Intuitive control up to 26 buttons
- Max IP grade:IPX6