

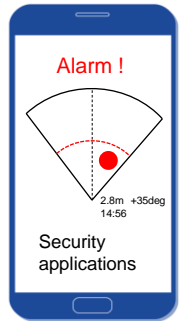
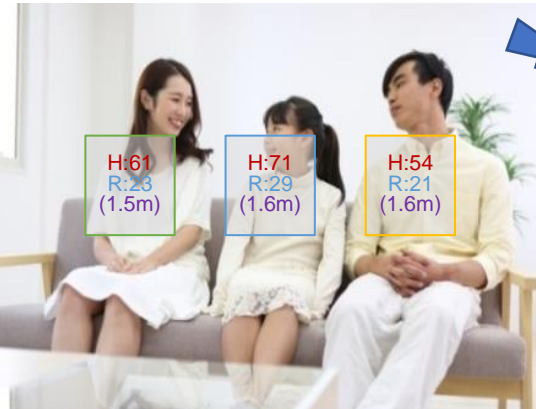
24GHz FMCW MIMO RADAR IoT SENSOR

FEATURES

- The miRadar™ 8 «IoT» is a unified miRadar™ 8 and small PC for 24GHz FMCW radar sensor system.
- Advanced signal processing is realized by parallel processing using multiple CPU cores.
- Allows connectivity with IoT cloud system.
- The connectivity is available by installing the app on your smartphone.

Applications

- Monitoring system
Non-contact detection of biological information (heart rate and breathing rate) of multiple people.
- Nursing care service
24/7 monitoring, moving object tracking, sensing through blankets and clothing, sudden infant death syndrome (SIDS) prevention, sleep apnea syndrome (SAS) prevention.



Specification

- Frequency 24GHz
- Certification: ARIB-T54 (Japan)
- Tx Power -4/2/8 dBm (selectable)
- Channel: 2T&4R (8 virtual antennas)
- FOV: Elevation $\pm 6^\circ$ & Azimuth $\pm 40^\circ$
- Resolution: distance 1m & Azimuth 13°
- Size (mm): 125 x 125 x 45
- signal processing : internal small PC
- Power DC+5V, <3.0A
- Accessory : AC adapter

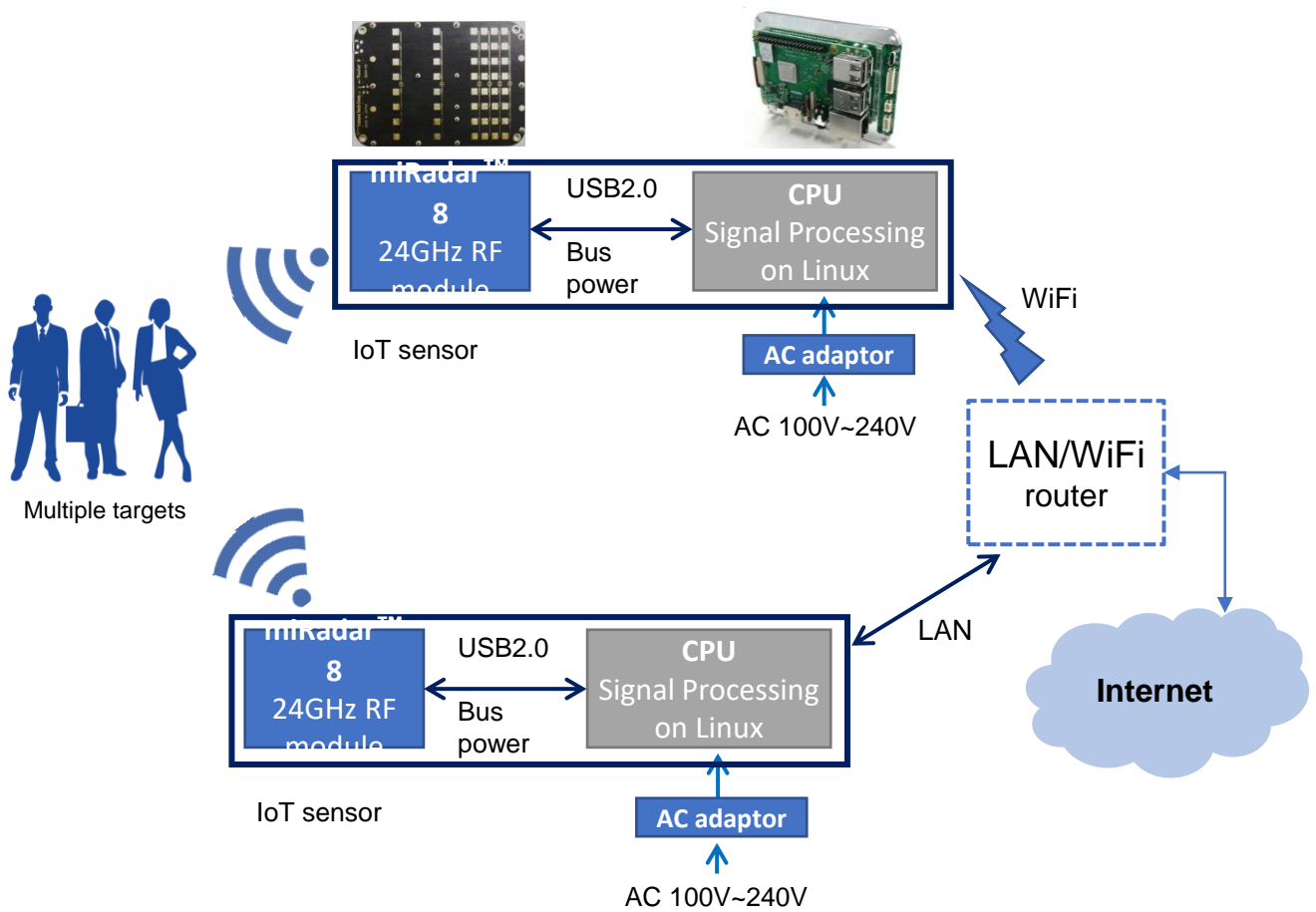
Host Interface

- Ethernet TCP/IP
- WiFi 2.4GHz

Software

- API command-based control over TCP/IP
- Sensor parameter configurations for measurement modes
- Data detection for distance, azimuth, heart rate, breathing rate, and so on.
- Data format: polar plot, range plot.
- Data storing and restoring (CSV format)

■ Sensor Block diagram



■ Order Guide

モデル	内容	備考
B278-02	Vital Sign Monitor	
DsM-008	Wall attachment	
DsU-010	AC Adaptor (+5Vdc)	

Note : Any product appearances, specifications, etc. are subject to change for improvement without prior notice. When exporting the product, confirm the country of destination, application, and customer. If any of them falls into an objective requirement, please take the necessary procedures, including export certificate application.

SAKURA TECH CORPORATION

Headquarters:

4F-B VORT Shin-Yokohama Bldg. 3-2-6 Shin-Yokohama,
Kohoku-ku, Yokohama-shi, Kanagawa, 222-0033 Japan

Contact:

Phone: +81-45-548-9611 Fax: +81-45-548-9533

E-mail: info@sakuratech.jp

<http://www.sakuratech.jp/>



ALLIANCE PARTNERS

