



**Multi Medica
Association Korea**

MMA Bldg. 37-25, Jungdeero 10gil, Songpa-Gu, Seoul, Korea
TEL:+82-2-585-3808 FAX:+82-2-585-3809

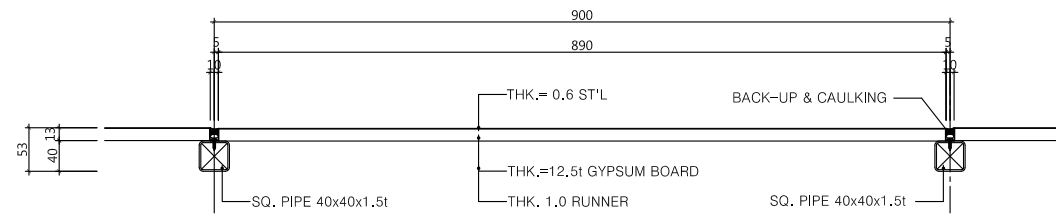
PROJECT TITLE

DETAIL

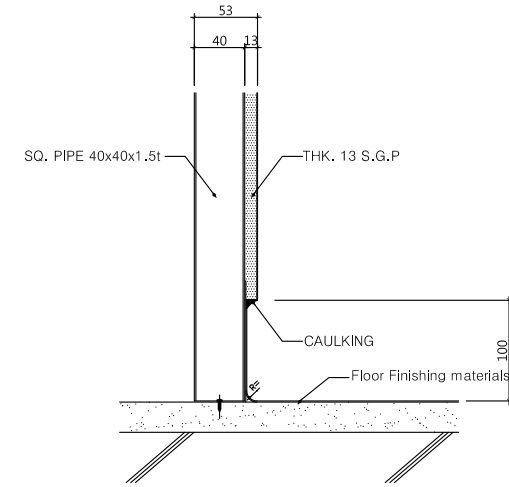
DRAWING TITLE

S.G.P DETAIL

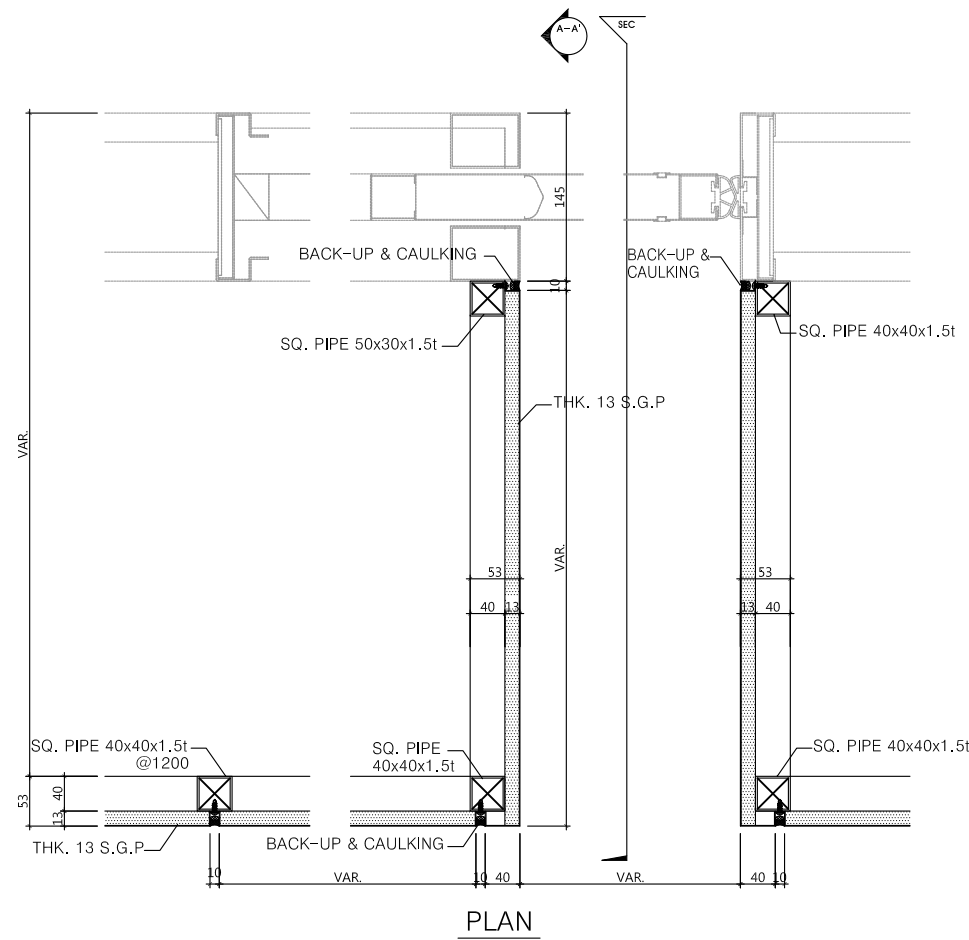
NOTES.



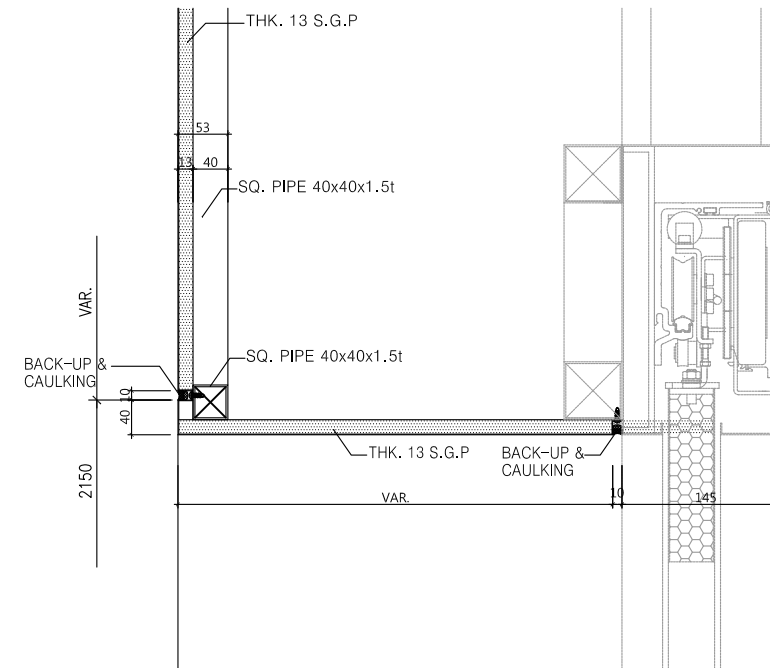
Clean panels Wall DETAIL (One Side S.G.P)



Baseboard SECTION DETAIL



Clean Panel AUTO DOOR Junction DETAIL



A-A' SECTION

REV.	DESCRIPTION	DATE	APPD

APPROVED BY / DATE
0. 0. 0 / 00. 00. 00

CHECKED BY / DATE
0. 0. 0 / 00. 00. 00

APPROVED BY / DATE
J. H. LEE / 17. 09. 25

CHECKED BY / DATE
S. H. LEE / 17. 09. 25

DRAWN BY / DATE
C. H. OH / 17. 09. 25

SCALE
A1 : NONE A3 : NONE

DRAWING NO.
MMA-001