

ET-BLE-BE-G1

EXTRA FLEX Quick reference



Product description

Easy Temp is a medical device that allows continuous and safe monitoring of body temperature, through a soft and comfortable disposable patch.

EASY Temp significantly improves the way in which the temperature is measured in the clinical environment, provides doctors and healthcare professionals with a quick, easy and effective way to keep the temperature under control, thus allowing prompt intervention in all those pathologies where continuous monitoring and changes in body temperature are essential for accurate diagnosis.

The ET-BLE module consists of a measurement device capable of measuring the temperature and transmitting it through the Bluetooth interface to a special router, which allows data to be transferred to the Cloud.

Through a special Smart Phone Application and a Web Service, each doctor can monitor their patients, enter notes on diagnoses and keep an electronic track of all the actions taken, including the medicines that are prescribed.

This device has been designed to guarantee a moderate sampling interval, guaranteeing minimum performance on battery life.

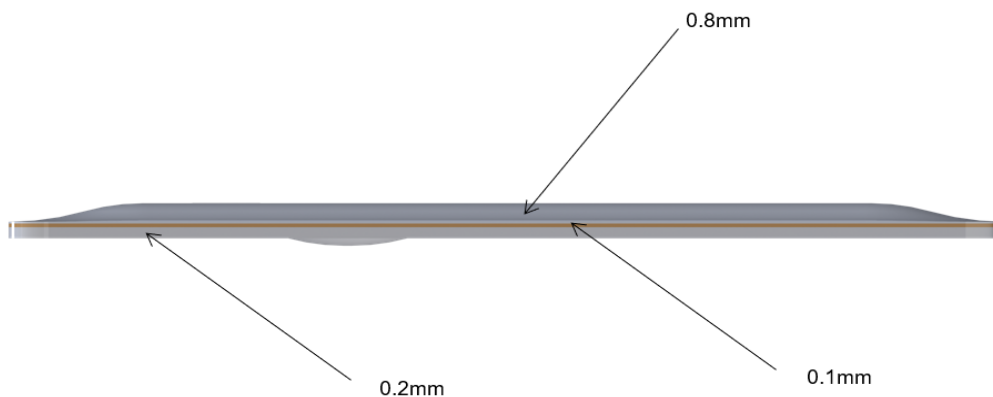
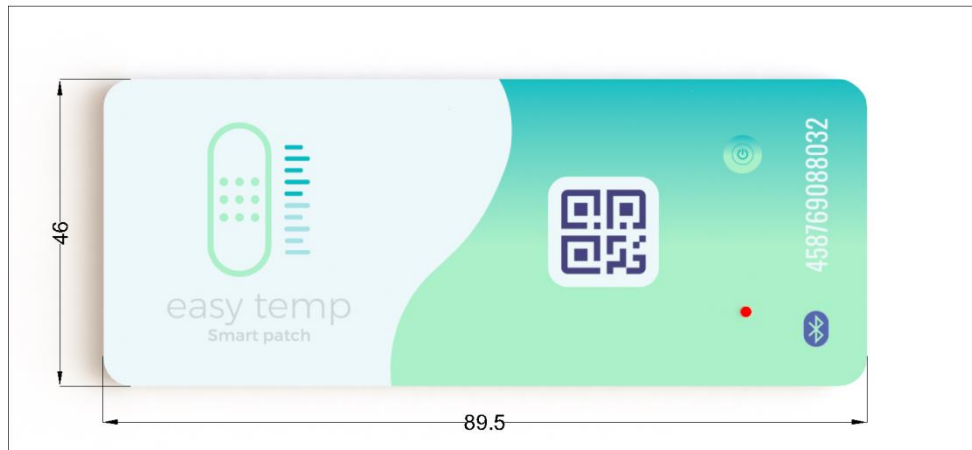
The following are the characteristics of the Medical Device:

- Medical Device (IoT) Certified CE according to 93/42 / CE amended by Directive 2007/47 / CE and subsequent amendments, Class II -a)
- Instant and real measurement of body temperature (0.3 sec)
- Maximum measurement accuracy (± 0.1 ° C)
- Continuous monitoring of the patient even remotely thanks to App compatible with Apple® or Android™ mobile devices
- Operating temperature range (35 ° C to + 42 ° C)
- CE, REACH and RoHS certifications

Standard Specifications

Energy Consumption	Supply Voltage: 3 VDC				
	Power Absorbed in Operation: MAX TX POWER 4 DB				
Temperature Range	35°C ~ 42°C				
Error Measurement	$\pm 0,1$ °C				
Life Cycle Of The Product	2 anni				
Adhesive	M5 - MED 6364				
Communication Standard	BLE				
Dimension	Width: 89,5mm Hight: 46mm Deep: 1mm				
Certification	CE according to 93/42 / CE amended by Directive 2007/47 / CE and subsequent amendments, Class II -a)				
Battery Life	Sampling Time:	2 minutes	5 minutes	10 minutes	30 minutes
	Duration Time:	2 days	5 days	7 days	10 days

ET-BLE-BE-G1 Dimensions



The content of this document must be considered intellectual property of AEBiosystem. The information contained herein is subject to change without notice. The only warranties for AEBiosystem products and services are set accordingly with Italian regulation. AEBiosystem shall not be liable for technical or editorial errors or omissions contained herein.

Last review: November 2020