

ASPINA

Engineered to Inspire

Technical Data Sheet 12L Compressor



www.drive-system-medical-technology.com

12L Compressor

Description

Compact, light weight, high flow and oil-less.

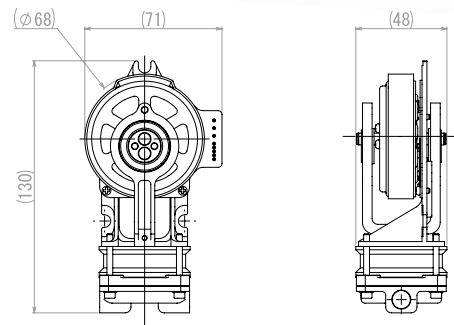
Application

The compressor is e.g. suitable for use in Portable Oxygen Concentrator and Ventilator devices.



Dimensions

Direction of rotation CCW ↺



Unit: mm

Technical Data

Motor Specification

Type of Motor	DC	Brushless	
Nominal Voltage	V	24	
Speed Range	r/min	1000~2500	
Shaft Posture		Optional	
Direction of Rotation	CCW		Viewing from the rotor side
Ambient Temperature	°C	5~40	
Ambient Humidity	%RH	10~95	No condensation
Heatproof Temp of Coil	°C	130	
Atmospheric Pressure	hPa	700~1060	
Number of Phases		3	
Number of Poles		12	
Number of Slots		9	
Type of Bearing		Ball Bearing	

Rated Values

Rated Pressure	kPa(psi)	140(20)
Rated Flow	L/min	12
Rated Speed	r/min	2500

Mechanical Data

Weight of Compressor	kg	0.43	Approx
Acoustic Noise Level	dB(A)	60	
Target Lifetime	hours	8500	Minimum

Electrical Data

Coil Resistance	Ω	0.83	20°C
Inductance	mH	1.5	20°C

Electrical Connection

CN1 Motor Coil Connector Type: JST-VHR-3N

AWG	PIN	Description
18	1	Coil 1
18	2	Coil 2
18	3	Coil 3

CN2 Sensor Connector Type: JST PAP 05V-S

AWG	PIN	Description
24	1	GND
24	2	Vcc
24	3	Hall 1
24	4	Hall 2
24	5	Hall 3

