

ASPINA

Engineered to Inspire

Technical Data Sheet Ventilator Blower



www.drive-system-medical-technology.com

Ventilator Blower

Description

Low noise level blower with quick acceleration response.
Compact, light weight, clean airflow and long life time over 50000 hours (L10).

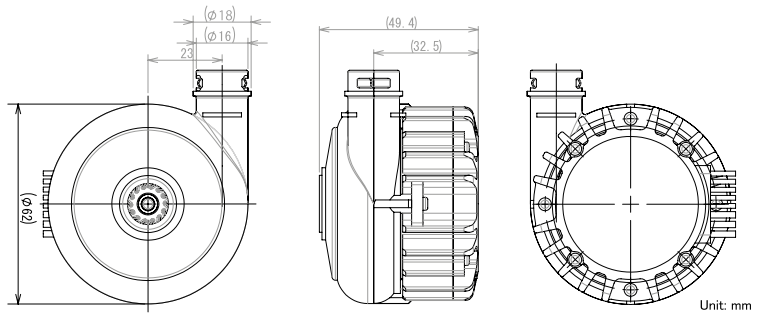
Application

The blower is e.g. suitable for use in stationary and mobile ventilator devices.



Dimensions

Direction of rotation CCW



Technical Data

Motor Specification

Type of Motor	DC	Brushless	
Nominal Voltage	V	24/36	
Speed Range	r/min	0~66000	
Shaft Posture		Vertical	
Direction of Rotation	CCW		Viewing from inlet-port side
Ambient Temperature	°C	0~50	
Ambient Humidity	%RH	15~90	No condensation
Heatproof Temp of Coil	°C	155	
Atmospheric Pressure	hPa	770~1013	
Number of Phases		3	
Number of Poles		2	
Number of Slots		6	
Type of Bearing		Ball Bearing	
Housing Material		m-PPE	
Impeller Material		PC	

Rated Values

Rated Pressure	kPa	10
Rated Flow	L/min	200
Rated Speed	r/min	60000

Mechanical Data

Weight of Motor	g	220	
Acoustic Noise Level	dB(A)	43	1 kPa
		59	5 kPa
Rotor Ass'y Inertia	g-cm ²	17.5	From 0 to 100cm
Acceleration	rev/ms	> 330	H2O : 180ms
Lifetime (L10)	hours	50000	10 kPa, 100L/min

Electrical Data

Coil Resistance(24V)	Ω	0.10	20°C
Coil Resistance(36V)	Ω	0.18	20°C
Inductance(24V)	mH	0.06	20°C
Inductance(36V)	mH	0.17	20°C

Electrical Connection

CN1 Motor Coil Connector Type: Molex 171692-0104

AWG	PIN	Description
16	1	Coil 1
16	2	Coil 2
16	3	Coil 3

CN2 Sensor Connector Type: JST PAP 05V-S

AWG	PIN	Description
24	1	GND
24	2	Vcc
24	3	Hall 1
24	4	Hall 2
24	5	Hall 3

