

# ASPINA

Engineered to Inspire

## Technical Data Sheet CPAP Blower



[www.drive-system-medical-technology.com](http://www.drive-system-medical-technology.com)

## CPAP Blower

### Description

Low noise level blower with quick acceleration response.  
Compact, light weight, clean airflow and long life time over 50000 hours (L10).

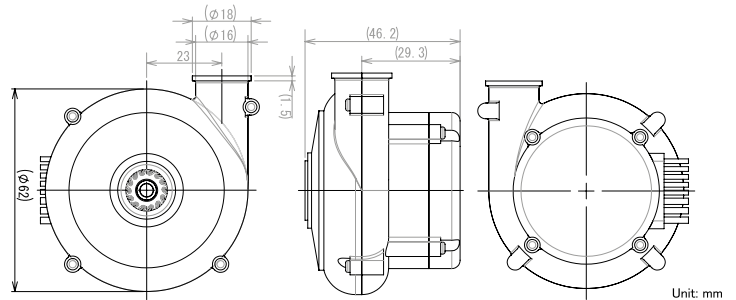
### Application

The blower is e.g. suitable for use in CPAP devices.



### Dimensions

Direction of rotation CCW



### Technical Data

#### Motor Specification

Type of Motor	DC	Brushless	
Nominal Voltage	V	12	
Speed Range	r/min	0~50000	
Shaft Posture		Vertical	
Direction of Rotation	CCW		Viewing from inlet-port side
Ambient Temperature	°C	0~50	
Ambient Humidity	%RH	15~90	No condensation
Heatproof Temp of Coil	°C	155	
Atmospheric Pressure	hPa	700~1013	
Number of Phases		3	
Number of Poles		2	
Number of Slots		6	
Type of Bearing		Ball Bearing	
Housing Material		m-PPE	
Impeller Material		PC	

#### Rated Values

Rated Pressure	kPa	5
Rated Flow	L/min	100
Rated Speed	r/min	41000

#### Mechanical Data

Weight of Motor	g	150	
Acoustic Noise Level	dB(A)	37	1kPa
		57	5kPa
Rotor Ass'y Inertia	g-cm <sup>2</sup>	16.7	Typical Value
Acceleration	rev/ms	> 110	From 5 to 50cm H <sub>2</sub> O : 270ms
Lifetime(L10)	hours	50000	5 kPa, 100L/min

#### Electrical Data

Coil Resistance	Ω	0.141	20°C
Inductance	mH	0.107	20°C

### Electrical Connection

#### CN1 Motor Coil Connector Type: JST-VHR-3

AWG	PIN	Description
20	1	Coil 1
20	2	Coil 2
20	3	Coil 3

#### CN2 Sensor Connector Type: JST PAP 05V-S

AWG	PIN	Description
24	1	GND
24	2	Vcc
24	3	Hall 1
24	4	Hall 2
24	5	Hall 3

