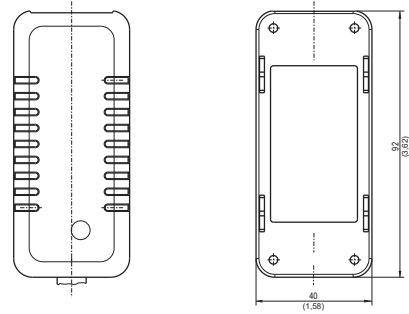
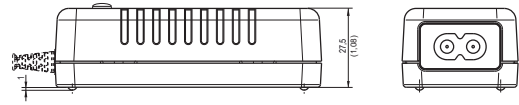


FW8004M/DT
DT12-M



Alle Abmessungen in Millimeter (Inch), Abweichung ± 0.5 (0.02)
All Dimensions in Millimeter (Inch), Deviation ± 0.5 (0.02)

Voltage	Current	Ripple voltage	Article no.
5 V	2000 mA	120 mV pp	1960134
12 V	1000 mA	120 mV pp	1960077
24 V	500 mA	120 mV pp	1960227

Technical data

Input voltage	100 – 240 V
Frequency	50 – 60 Hz
Input current	250 – 130 mA
Leakage current	$\leq 10 \mu\text{A}$
Output voltage tolerance	$\pm 5 \%$
Stand-by	$\leq 0.1 \text{ W}$
Efficiency	DoE: 10 CFR §430.32, energy efficiency level VI ErP: Commission Regulation (EU) 2019/1782
MTBF	200.000 h*

Characteristics

- + Efficiency level VI
- + Overload protection
- + Overvoltage protection
- + Continuously short circuit proof

Labels / Certifications



Further approvals possible after consultation

Environmental specifications

Operating temperature	0 – 40° C
Humidity	10 – 95 %
Storage temperature	-40 – 70° C
Operating altitude	2000 m

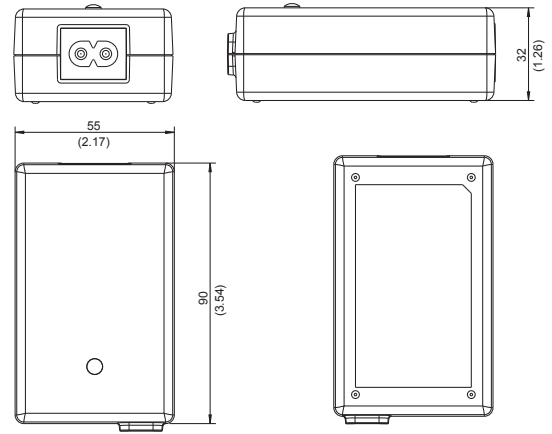
Safety specifications

Layout acc. to safety standard	IEC 60601-1, ES60601-1
Approvals	EU, USA
Safety class	II
EMC	EN 60601-1-2:2015
Medical protection	2 x MOPP

Mechanical data

Dimensions	92.0 x 40.0 x 27.5 mm
Weight	189 g, 135 g (1960077, 1960227)
Connectors	
AC input:	2 pole, IEC 60320-C8 socket
DC output:	Secondary adapter system

FW8030M/DT
FOX30-DM



Voltage	Current	Ripple voltage	Article no.
5 V	5000 mA	150 mV pp	1898179
5.9 V	4200 mA	150 mV pp	1898180
7.5 V	4000 mA	150 mV pp	1898181
9 V	3300 mA	120 mV pp	1898182
12 V	2500 mA	120 mV pp	1898183
15 V	2000 mA	150 mV pp	1898184
18 V	1670 mA	200 mV pp	1898185
24 V	1250 mA	200 mV pp	1898186

Technical data

Input voltage	100 – 240 V
Frequency	50 – 60 Hz
Input current	300 – 600 mA
Leakage current	≤ 10 µA
Output voltage tolerance	± 5 %
Turn-on delay	≤ 3 s
Stand-by	≤ 0.1 W
Efficiency	DoE: 10 CFR §430.32, energy efficiency level VI ErP: Commission Regulation (EU) 2019/1782
MTBF	200.000 h*

Characteristics

- + Efficiency level VI
- + Overload protection
- + Overvoltage protection
- + Continuously short circuit proof

Environmental specifications

Operating temperature	0 – 45° C (FOX30-D)
Humidity	10 – 95 %
Storage temperature	-40 – 70° C
Operating altitude	4000 m

Labels / Certifications



Further approvals possible after consultation

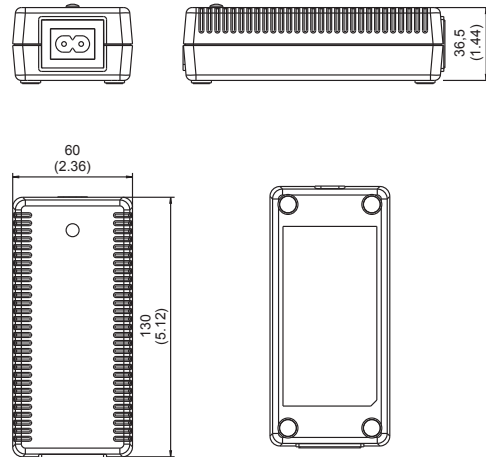
Safety specifications

Layout acc. to safety standard	IEC 62368-1
Approvals	EU, USA, AUS, JPN
Safety class	II
EMC	EN 55035, EN 55032
Medical protection	2 x MOPP

Mechanical data

Dimensions	90.0 x 55.0 x 32.0 mm
Weight	185 g
Connectors	
AC input:	2 pole, IEC 60320-C8 socket
DC output:	Secondary adapter system

FW7405M
DT50-M



Alle Abmessungen in Millimeter (Inch), Abweichung ± 0.5 (0.02)
All Dimensions in Millimeter (Inch), Deviation ± 0.5 (0.02)

Voltage	Current	Ripple voltage	Article no.
5 V	5000 mA	120 mV pp	1890649
12 V	3800 mA	120 mV pp	1890650
15 V	3000 mA	120 mV pp	1890839
24 V	2200 mA	120 mV pp	1825898

Technical data

Input voltage	100 – 240 V
Frequency	50 – 60 Hz
Input current	1100 – 500 mA
Leakage current	$\leq 10 \mu\text{A}$
Output voltage tolerance	$\pm 5 \%$
Turn-on delay	$\leq 3 \text{ s}$
Stand-by	$\leq 0.75 \text{ W}$
MTBF	200.000 h*

Environmental specifications

Operating temperature	0 – 40° C
Humidity	10 – 90 %
Storage temperature	-40 – 70° C
Operating altitude	4000 m

Safety specifications

Layout acc. to safety standard	IEC 60601-1
Approvals	EU, USA, AUS,
Safety class	II
EMC	EN 60601-1-2 4th Edition
Medical protection	2 x MOPP

Mechanical data

Dimensions	60.0 x 130.0 x 36.5 mm
Weight	250 - 375 g
Connectors	
AC input:	2 pole, IEC 60320-C8 socket
DC output:	Secondary adapter system

Characteristics

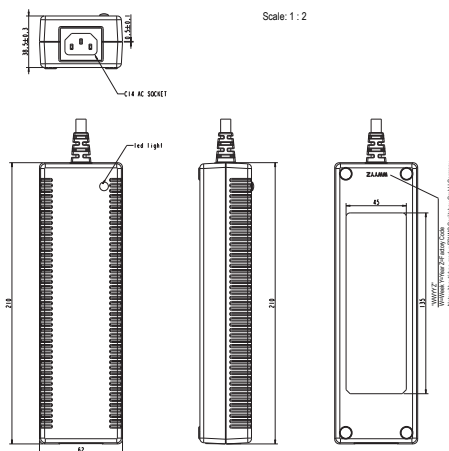
- + Overload protection
- + Overvoltage protection
- + Continuously short circuit proof

Labels / Certifications



Further approvals possible after consultation

DT150-24 MOPP
DT150-M



Alle Abmessungen in Millimeter (Inch), Abweichung ± 0.5 (0.02)
All Dimensions in Millimeter (Inch), Deviation ± 0.5 (0.02)

Voltage	Current	Ripple voltage	Article no.
24 V	6250 mA	240 mV pp	1893142

Technical data

Input voltage	100 – 240 V
Frequency	50 – 60 Hz
Input current	2000 – 700 mA
Leakage current	$\leq 10 \mu\text{A}$
Output voltage tolerance	$\pm 5 \%$
Stand-by	$\leq 0.5 \text{ W}$
MTBF	200.000 h*

Environmental specifications

Operating temperature	0 – 40° C
Humidity	5 – 95 %
Storage temperature	-20 – 70° C
Operating altitude	4000 m

Safety specifications

Layout acc. to safety standard	IEC 60601-1
Approvals	EU, USA
Safety class	I
EMC	EN 60601-1-2:2015
Medical protection	2 x MOPP

Mechanical data

Dimensions	62.0 x 210.0 x 38.8 mm
Weight	622 g
Connectors	
AC input:	3 pole, IEC 60320-C14 socket
DC output:	Cable with coaxial plug 11.0 x 6.5 x 3.0 mm

Characteristics

- + Overload protection
- + Overvoltage protection
- + Continuously short circuit proof

Labels / Certifications



Further approvals possible after consultation