



progress in surgery

**UVDDID
HYBRID**

Urology
HF SURGERY
SETS



UROLOGY

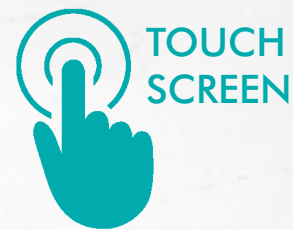
PLUG AND PLAY SMART HF SURGERY SETS

The new smart HF surgery combination consisting of G44 unit and endo-urology instrumentation provides a perfect variety of plug-and-play modes.

By using of those plug-and-play modes, surgery becomes remarkable easy.

G44 unit is excellent for e.g. bipolar and monopolar resection (TUR-P or TUR-B), vaporization or encucleation. Its increasing safety stops bleeding and reduces operation time.

- Plug and play connectivity makes installation and operation in Urology easy with the G44 HF device
- Automatic power regulation
- No configuration is required - but can be made
- Touch display (easy cleaning)
- The OR team will experience state-of-the-art HF surgery with highest simplicity for various Urological applications



The big 26Charr. HYBRID Urology Resection Set consists of the HF Generator, the Footswitch, the Instruments, the Neutral Electrode and one bipolar as well as one monopolar cable. Due to the coded SDS-plugs, the surgeon just needs to connect the instrument with the generator and is able to start working without preconfiguring the settings. Herewith we fulfill the state of the art operation standard in the urology field. The RZ HYBRID Resectoscope can be used either in the monopolar or in the bipolar way. The surgeon just needs to change the cable, the irrigation fluid (Glycine/Sorbitol (mono) or NaCl-Solution (bipo)) and connect or disconnect the neutral electrode. The Resectoscope as well as the Electrodes can be used in an hybrid way. To protect the instruments and extend their lifetime, the instruments are delivered in an optimal fitting storage tray. This set provides all requirements and programs in order to perform the monopolar and bipolar resection in the urology field.



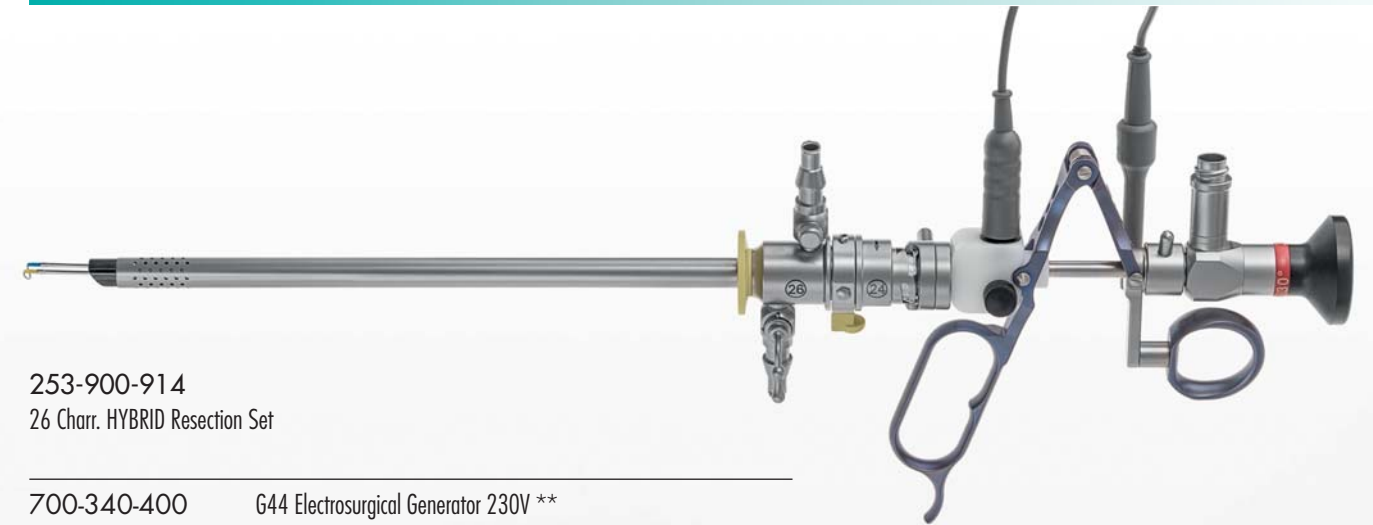
G44 Electrosurgical Generator

- Small and versatile generator
- Pre-configured operating modes or free adjustments for special needs while operating
- Simple and intuitive handling and large touchscreen
- With Smart Device Sockets (SDS), G44 recognizes which instrument is connected and uses the appropriate settings
- Changed settings during operation are kept in memory and are recalled for the next procedure
- Bipolar and monopolar usage - can be used for BIPO and MONO TUR-P/B
- Automatic neutral electrode monitoring in Monopolar mode - generator stops and signals insufficient connection



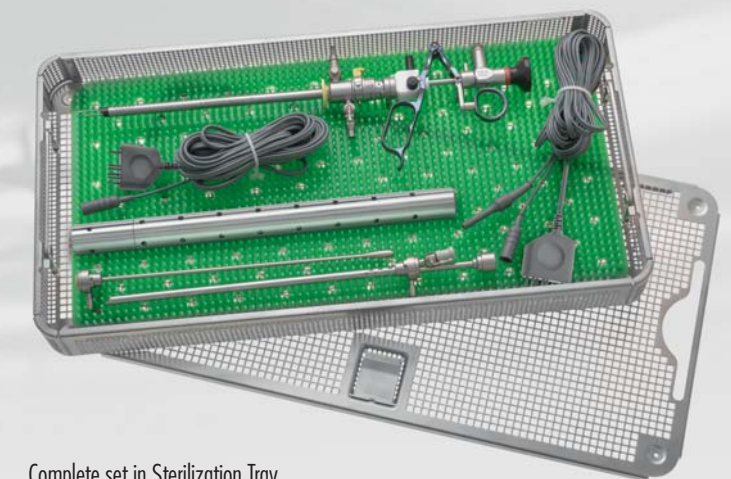
YouTube setup and operation Video on the RZ YouTube Channel:
<https://youtu.be/Pr-1Er1EO8M>

26 CHARR. **UVBDDID** HYBRID RESECTION SET



253-900-914
26 Charr. HYBRID Resection Set

700-340-400	G44 Electrosurgical Generator 230V **
253-804-030	RZ Cystoscope, 30°, Ø 4mm, autoclavable
253-000-401	HYBRID Working Element, active
253-000-256	Resectoscope Sheath, rotatable, ceramic tip
253-400-201	Cutting Electrode, angled*
253-400-203	Collins Coagulation Electrode*
253-400-205	Coagulation Electrode, ball shape*
253-300-999	Sterilisation tubes for electrodes
600-485-555	1/1 Stainless Steel Tray, perforated, with lid, 480x254x55mm
600-281-003	Silicone Mat, green, 440x230mm
253-400-605	SDS-Cable, bipolar, 4.5m
700-501-453	SDS Cable, monopolar, 4.5m
700-503-003	Cable for Neutral Electrode
700-503-000	Disposable Neutral Electrode, pack of 50 pcs.
700-350-405	Footswitch



Complete set in Sterilization Tray

* also available sterile packed - please contact us
** also available in 110V: 700-340-410

The small 18.5Charr. HYBRID Urology Resection Set consists of the HF Generator, the Footswitch, the Instruments, the Neutral Electrode and one bipolar as well as one monopolar cable. Due to the coded SDS-plugs, the surgeon just needs to connect the instrument with the generator and is able to start working without preconfiguring the settings. Herewith we fulfill the state of the art operation standard in the urology field.

The RZ HYBRID Resectoscope can be used either in the monopolar or in the bipolar way. The surgeon just needs to change the cable, the irrigation fluid (Glycine/Sorbitol (mono) or NaCl-Solution (bipo)) and connect or disconnect the neutral electrode. The Resectoscope as well as the Electrodes can be used in an hybrid way.

To protect the instruments and extend their lifetime, the instruments are delivered in an optimal fitting storage tray. This 18.5Charr set, to use with special anatomical conditions, provides all requirements and programs in order to perform the monopolar and bipolar resection in the urology field.



G44 Electrosurgical Generator

- Small and versatile generator
- Pre-configured operating modes or free adjustments for special needs while operating
- Simple and intuitive handling and large touchscreen
- With Smart Device Sockets (SDS), G44 recognizes which instrument is connected and uses the appropriate settings
- Changed settings during operation are kept in memory and are recalled for the next procedure
- Bipolar and monopolar usage - can be used for BIPO and MONO TUR-P/B
- Automatic neutral electrode monitoring in Monopolar mode - generator stops and signals insufficient connection



YouTube setup and operation Video on the RZ YouTube Channel:
<https://youtu.be/Pr-1Er1EO8M>

18.5 CHARR. HYBRID RESECTION SET



253-900-913
18.5 Charr. HYBRID Resection Set

700-340-400	G44 Electrosurgical Generator 230V **
253-829-030	RZ Cystoscope, 30°, Ø 2.9mm, autoclavable
351-400-201	HYBRID Working Element, active
351-000-185	Resectoscope Sheath, rotatable, ceramic tip
351-000-201	Cutting Loop Electrode*
351-000-203	Knife Electrode*
351-000-205	Ball Electrode*
253-300-999	Sterilisation tubes for electrodes
600-485-555	1/1 Stainless Steel Tray, perforated, with lid, 480x254x55mm
600-281-003	Silicone Mat, green, 440x230mm
253-400-605	SDS-Cable, bipolar, 4.5m
700-501-453	SDS Cable, monopolar, 4.5m
700-503-003	Cable for Neutral Electrode
700-503-000	Disposable Neutral Electrode, pack of 50 pcs.
700-350-405	Footswitch



Complete set in Sterilization Tray

* also available sterile packed - please contact us
 ** also available in 110V: 700-340-410



progress in surgery

RZ Medizintechnik GmbH

Unter Hasslen 20
D-78532 Tuttlingen

Phone: +49 (0)7462/9470-0
Fax: +49 (0)7462/9470-50

sales@rz-medizintechnik.com
www.rz-medizintechnik.com

Media Code Number: 021360