

MOVE4

4-chamber device for lymphatic drainage

Specification:

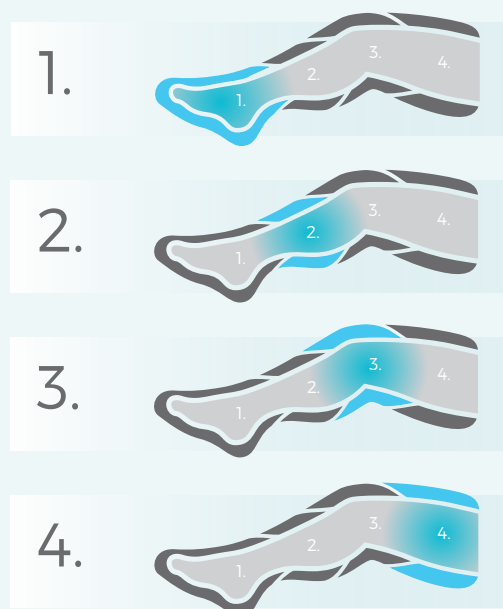
- + Battery powered - battery operation possible
- + Cuffs with "overlapping" and "fishbone" type chambers
- + Option to turn off individual chambers
- + Time (10-60 min)
- + Pressure (20 - 250 mmHg)
- + 5 massage modes
- + Compact, portable design (weight: 2 kg)
- + One-year warranty

System contains:

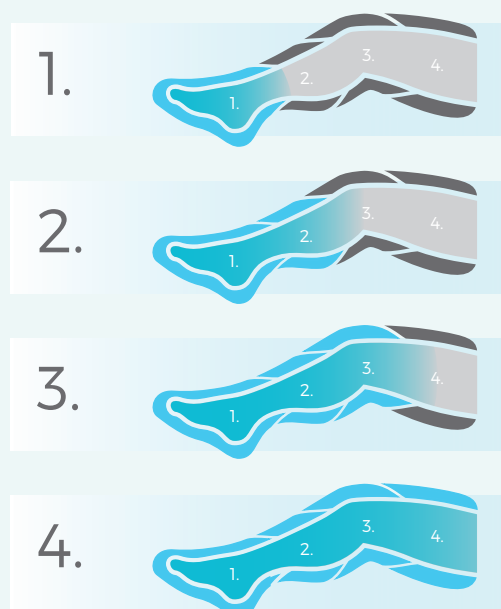
- + Main control unit
- + 2x grey leg cuffs
- + 1x double air hose for leg cuffs
- + Power cable
- + Carry bag

available **massage modes:**

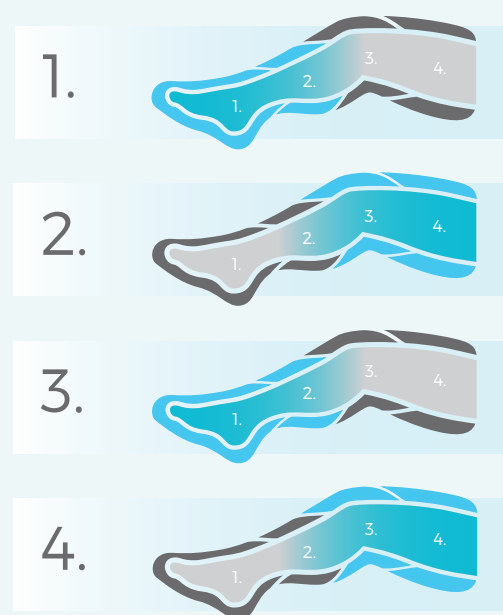
mode a



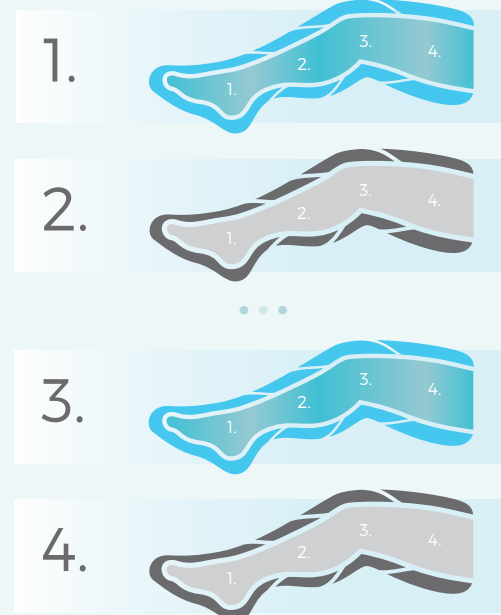
mode b



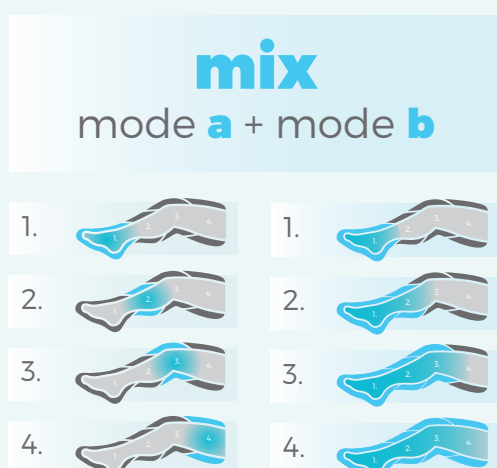
mode c



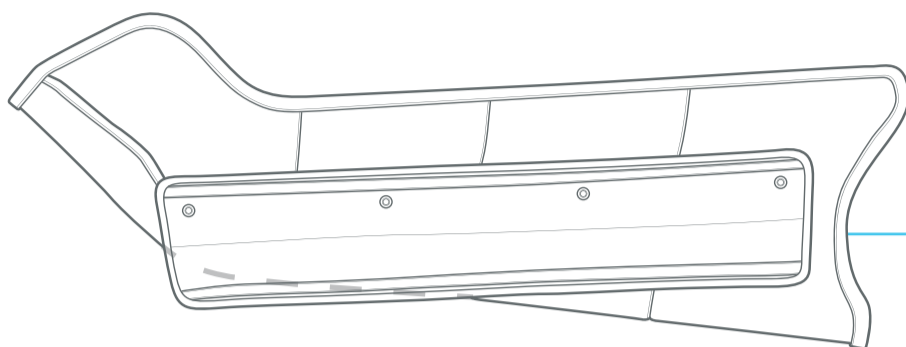
mode d



mode e



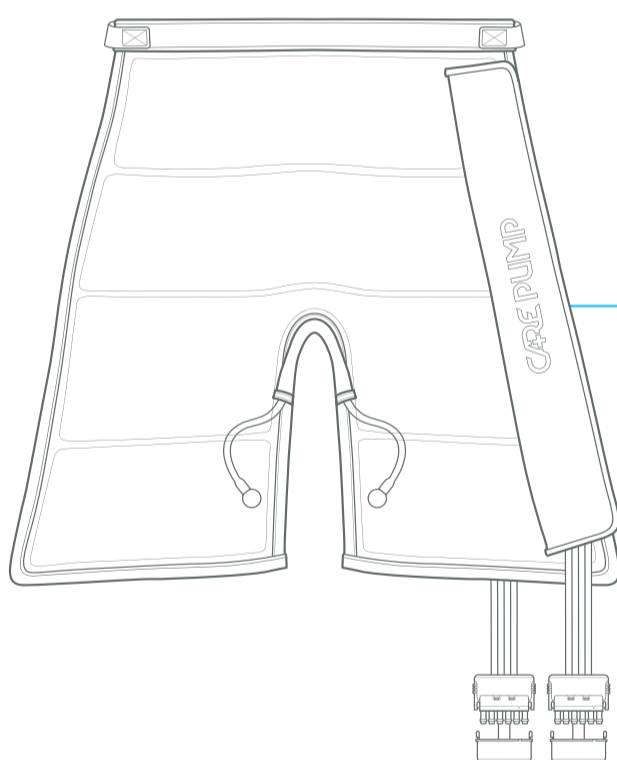
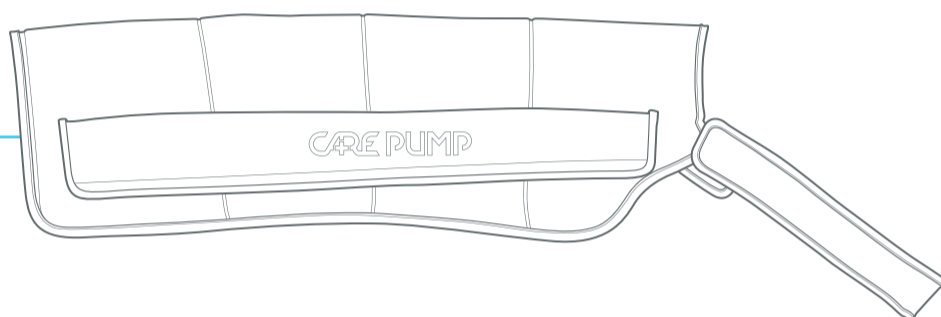
cuffs **included:**



2x leg cuff

cuffs **available:**

arm cuff



shorts

waist belt

