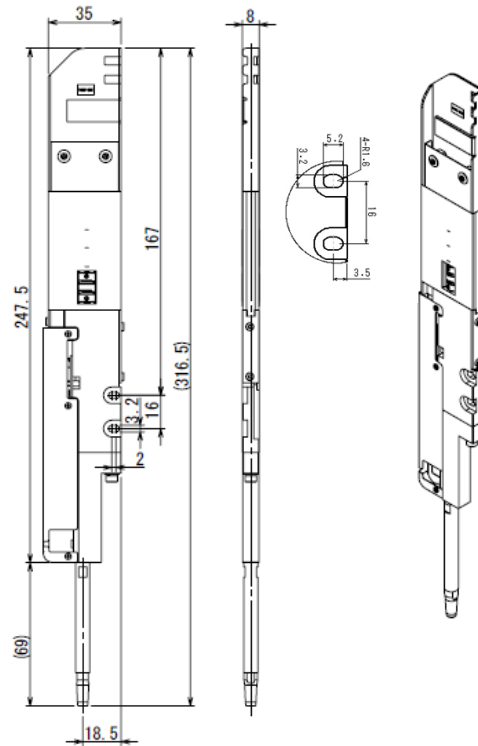


Micro Auto Pipette (300uL)

Main Features

- Small Body (8mm × 36mm × 240mm)
Can line up to 8 channel
- Light Weight (180g)
- High accurate
- Fit with either Tecan or general tip
- Add Tip Detect Sensor or Liquid level detector (Optional Parts)

	Specification
Accuracy assurance range	15 - 300 μ l
Repeatability (CV)	300 μ L \leq 0.15% 15 μ L \leq 3.5%
Accuracy	300 μ L \pm 0.5% 15 μ L \pm 3%
Speed	High: 156 μ L/sec
Theoretical Resolution	0.0386 [μ L/step]



Micro Auto Pipette (1000uL)

Main Features

- Small Body (12mm × 36mm × 240mm)
- Light Weight (180g)
- High accurate
- Fit with either Tecan or general tip
- Add Tip Detect Sensor or Liquid level detector (Optional Parts)

	Specification
Accuracy assurance range	100 - 1000 μ l
Repeatability (CV)	1000 μ L \leq 0.15% 100 μ L \leq 0.5%
Accuracy	1000 μ L \pm 0.5% 100 μ L \pm 1.5%
Speed	High: 625 μ L/sec
Theoretical Resolution	0.15 [μ L/step]

